



## COMPANY OVERVIEW

Western Shelter has supported life in the face of adverse conditions since 1988. We are dedicated to building the toughest shelters and field support systems on the market, and pride ourselves on providing safe and comfortable working environments for our customers around the globe. The Western Shelter System has been proven to reliably support field applications that range from temporary housing camps, bases of operation, mobile field hospitals, and many more.

## CORE COMPETENCIES

- Expeditionary shelters
- Turnkey basecamps
- Mobile field hospitals
- Water handling systems
- Portable power distribution
- Modular structures
- Custom engineering
- Project management

## PAST PERFORMANCE

### United States Army Medical Material Agency (2012-present)

Western Shelter has been contracted by the US Army Medical Materials Agency to manufacture a series of field hospitals for foreign military sales to Lebanon, Lithuania, Uganda, and Rwanda. For each of these hospitals Western Shelter provided specially modified shipping containers, soft-sided shelters, water handling systems, power distribution equipment, and all of the medical goods necessary for initial hospital operation.

### Army Corp of Engineers (2017)

After Hurricanes Irma and Maria hit the US Virgin Islands in 2017 The Army Corp of Engineers contacted Western Shelter to provide two field hospitals to restore medical services in the territory. This project required Western Shelter to manufacture, ship, and install the two hospitals on site in an extremely expedited 12-week timeframe.

### United States Air Force (2017)

Western Shelter worked to supply turnkey camps to three Air Force squadrons to be used as forward operating bases during downed pilot recovery missions.

### Defense Logistics Agency (2016-present)

Western Shelter has won numerous contracts with the DLA to manufacture cable assemblies for applications ranging from expeditionary camps, to replacement parts for the aerospace industry.

### Defense Logistics Agency (2017-2018)

Western Shelter was selected by the DLA to provide a vehicle maintenance kit that included several difficult to source components.

## CERTIFICATIONS, CODES, QUALIFICATIONS...

CAGE Code: 067A4  
DUNS Number: 078735402  
ISO Certificate: 10666  
JCP Certificate: 0039549  
Certified Small Business: 2015

## NAICS CODES

314910Y,315210Y,332311Y,333415Y,333924Y,334290Y,334419Y  
334515Y,334519Y,335210Y,335311Y,335312Y,335314Y,335921Y,335929Y  
335931Y,335999Y,336212Y,336413Y,337127Y,337211Y,337214Y,423210Y,441210Y  
621493N

### Federal Emergency Management Agency (1992-present)

FEMA Search and Rescue Teams have standardized their response caches around the Gatekeeper Shelter. These shelters have been deployed in response to every major disaster in the United States in the last 25 years.

### Department of Justice (2015)

In 2015 a 7.8 magnitude earthquake hit Nepal, the US DOJ contacted Western Shelter to provide temporary police stations after more than 100 were destroyed. This project required a six-week turnaround.

### Veterans Affairs (2012-present)

Western Shelter has worked with VA facilities across the United States to supply them with temporary medical clinics for disaster response and hospital surge capacity. Several of these clinics were deployed to Puerto Rico to restore medical services to veterans after Hurricane Maria devastated existing facilities.

### United States Forest Service (1990-present)

The Forest Service has been a long time user of Western Shelters for their wildfire suppression operations.

### National Disaster Medical System (1992-present)

Western Shelters have been the choice of NDMS for national emergency response including natural disasters, acts of terrorism, and pre-planned national security events.



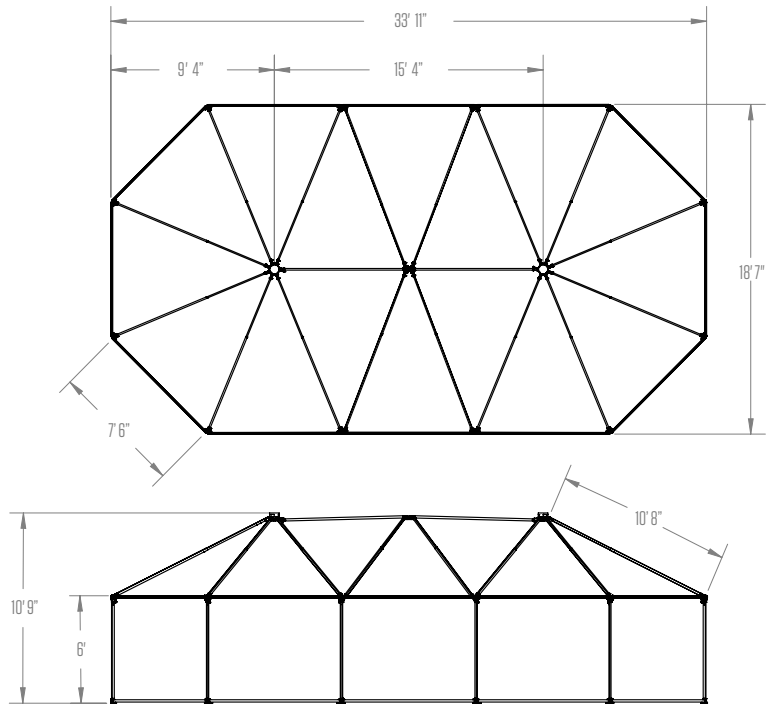


## Features and Benefits

- Rapid deployment without aid of ancillary equipment, set-up anywhere
- Lightweight frame, packaging allows shelter to be moved / stowed by two people
- Vertical 6 ft. sidewalls maximize usable square footage
- Sealable vinyl floor maintains environmentally secure shelter (SW-1935, SG-1935, SK-1935)
- Can be configured with roof or walls only for maximum flexibility in deployment
- Interior frame allows access to horizontal support bars capable of holding up to 50 lbs
- Rigid double doors provide a large entryway
- Roof vent caps significantly reduces condensation
- Framework design allows individual replacement of parts
- Flame retardant vinyl is UV resistant for long life, resists mildew and abrasion

## Shelter Packages

SH-1935	SW-1935	SG-1935	SK-1935
1 Frame	1 Frame	1 Frame	1 Frame
2 Vent Cap	2 Vent Cap	2 Vent Cap	2 Vent Cap
1 Roof	1 Roof	1 Roof	1 Roof
1 Wall	1 Wall	1 Wall	1 Wall
1 Double Door	2 Double Door	2 Double Door	2 Double Door w/ Filler Panels
1 Stake Kit	2 Stake Kit	2 Stake Kit	2 Stake Kit
1 Vinyl Repair Kit	1 Vinyl Repair Kit	1 Vinyl Repair Kit	1 Vinyl Repair Kit
	1 Floor	1 Floor	1 Floor
	2 Threshold Ramp	2 Threshold Ramp	2 Threshold Ramp
		1 Insulation Roof	1 Insulation Roof
		1 Wiring Harness	1 Wiring Harness
		6 T36 Lights	7 T36 Lights
			1 Insulation Wall Set



## 1935 Specifications

Usable Area	18' 7" x 33' 11"	(5.7 x 10.4 m)
Total Weight	596 lbs	(270 kg)
Time Under Canopy	20 min / 4 personnel	
Total Set-Up Time	35 min / 4 personnel	
Square Footage	570 ft <sup>2</sup>	(53m <sup>2</sup> )
Cube	3,420 ft <sup>3</sup>	(96.84 m <sup>3</sup> )
Environment	-40°F - 120°F (4.4°C to 49°C)	
Snow Load	10 lbs / ft <sup>2</sup> for 12 hrs (50 kg / m <sup>2</sup> for 12 hrs)	
Wind Load	55 mph w/gusts to 65 mph (89 km/h w/gusts to 105 km / h)	
<b>Dimensions</b>		
Footprint	18' 7" x 33' 11"	(5.7 x 10.4 m)
Sidewall	6'	(1.8m)
Peak	10' 10"	(3.3m)
<b>Packaged Dimensions</b>		<b>Weights</b>
Roof	21 x 23 x 14"	(53 x 58.5 x 35.5 cm) 76 lbs (34.4 kg)
Door (2)	26 x 3.5 x 72"	(66 x 9 x 183 cm) 45 lbs (20.4 kg)
Wall	28 x 28 x 14"	(71 x 71 x 35.5 cm) 110 lbs (49.8 kg)
Vinyl Floor	23 x 20 x 14"	(58.5 x 51 x 35.5 cm) 86 lbs (39 kg)
Frame #1	91 x 16 x 16"	(231 x 40.5 x 40.5 cm) 126 lbs (57 kg)
Frame #2	91 x 14 x 16"	(231 x 35.5 x 40.5 cm) 108 lbs (49 kg)
Berry Compliant Option	✓	



Thirteen 1935s connected by vestibules make up this field hospital.

## Recommended Support Systems

### Shelter Connecting Systems

Increase the footprint of your shelter system with rigid frame connectors and entryways

### Electrical Distribution

Portable power and lighting to sustain your shelter complex

### Climate Control

Air heating, cooling, purifying and dehumidifying

### Water Distribution

Purification, storage, heating and distribution kits

### Hygiene Systems

Field showers and toilet stations

### Storage And Transport

Heavy-duty cases and customizable cargo trailers

### Digital ID

Your logo or name custom printed on roofs and doors for easy identification

### Anchoring Systems

Secure your shelter against high winds

### Shelter Accessories

Beds, work stations, tables, seating and food prep



Shelter billering featuring Western Shelter bunk beds, air distribution plenum, lighting and wiring harness.

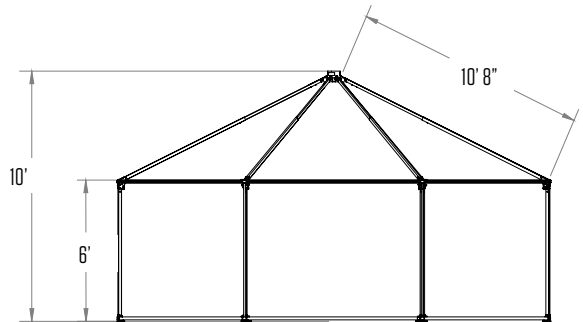
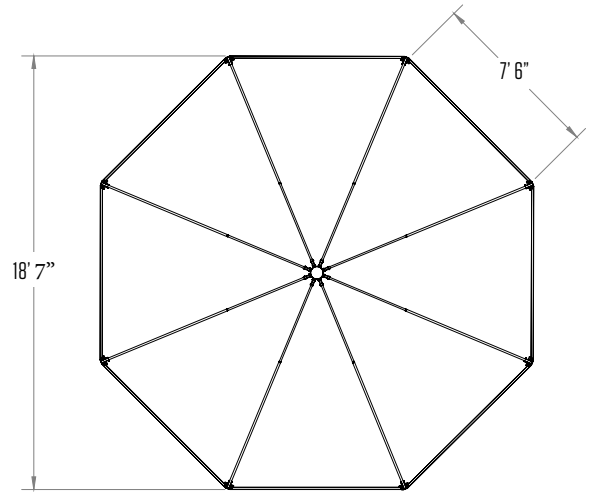


## Features and Benefits

- Rapid deployment without aid of ancillary equipment, set-up anywhere
- Lightweight frame, packaging allows shelter to be moved / stowed by two people
- Vertical 6 ft. sidewalls maximize usable square footage
- Sealable vinyl floor maintains environmentally secure shelter (SW-20, SG-20, SK-20)
- Can be configured with roof or walls only for maximum flexibility in deployment
- Interior frame allows access to horizontal support bars capable of holding up to 50 lbs
- Rigid double doors provide a large entryway
- Roof vent caps significantly reduces condensation
- Framework design allows individual replacement of parts
- Flame retardant vinyl is UV resistant for long life, resists mildew and abrasion

## Shelter Packages

SH-20	SW-20	SG-20	SK-20
1 Frame	1 Frame	1 Frame	1 Frame
1 Vent Cap	1 Vent Cap	1 Vent Cap	1 Vent Cap
1 Roof	1 Roof	1 Roof	1 Roof
1 Wall	1 Wall	1 Wall	1 Wall
1 Double Door	1 Double Door	1 Double Door	1 Double Door w/ Filler Panels
1 Stake Kit	2 Stake Kit	2 Stake Kit	2 Stake Kit
1 Vinyl Repair Kit	1 Vinyl Repair Kit	1 Vinyl Repair Kit	1 Vinyl Repair Kit
	1 Floor	1 Floor	1 Floor
	1 Threshold Ramp	1 Threshold Ramp	1 Threshold Ramp
		1 Insulation Roof	1 Insulation Roof
		1 Wiring Harness	1 Wiring Harness
		4 T36 Lights	5 T36 Lights
			1 Insulation Wall Set



## 20 Specifications

Usable Area	18' 7" x 18' 7"	(5.7 x 5.7 m)
Total Weight	344 lbs	(156 kg)
Time Under Canopy	16 min / 4 personnel	
Total Set-Up Time	25 min / 4 personnel	
Square Footage	286 ft <sup>2</sup>	(26.6 m <sup>2</sup> )
Cube	2178 ft <sup>3</sup>	(663.9 m <sup>3</sup> )
Environment	-40°F - 120°F	(-40°C to 48.9°C)
Snow Load	10 lbs / ft <sup>2</sup> for 12 hrs	(50 kg / m <sup>2</sup> for 12 hrs)
Wind Load	55 mph w/gusts to 65 mph	(89 km/h w/gusts to 105 km / h)
<b>Dimensions</b>		
Footprint	18' 7" x 18' 7"	(5.7 x 5.7 m)
Sidewall	6'	(1.8 m)
Peak	10' 10"	(3.3 m)
<b>Packaged Dimensions</b>		<b>Weights</b>
Roof	24 x 20 x 10" (60 x 51 x 25 cm)	40 lbs (18.1 kg)
Door	26 x 3.5 x 72" (66 x 9 x 183 cm)	45 lbs (20.4 kg)
Wall	27 x 28 x 12" (69 x 71 x 31 cm)	74 lbs (33.6 kg)
Vinyl Floor	23 x 20 x 8" (59 x 51 x 20 cm)	48 lbs (21.8 kg)
Frame	91 x 14 x 16" (231 x 36 x 41 cm)	134 lbs (60.8 kg)

Berry Compliant Option



## Recommended Support Systems

### Shelter Connecting Systems

Increase the footprint of your shelter system with rigid frame connectors and entryways

### Electrical Distribution

Portable power and lighting to sustain your shelter complex

### Climate Control

Air heating, cooling, purifying and dehumidifying

### Water Distribution

Purification, storage, heating and distribution kits

### Hygiene Systems

Field showers and toilet stations

### Storage And Transport

Heavy-duty cases and customizable cargo trailers

### Digital ID

Your logo or name custom printed on roofs and doors for easy identification

### Anchoring Systems

Secure your shelter against high winds

### Shelter Accessories

Beds, work stations, tables, seating and food prep



20 system shelter featuring SOI equipment set up and ready for use.

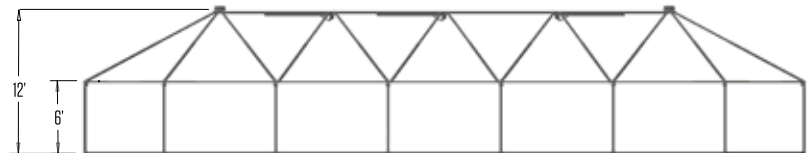
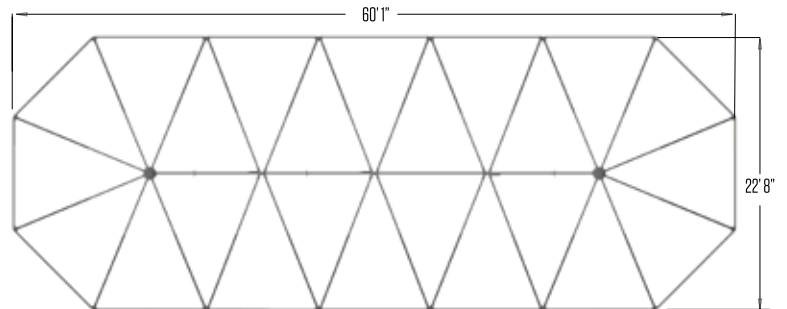


## Features and Benefits

- Rapid deployment without aid of ancillary equipment, set-up anywhere
- Lightweight frame, packaging allows shelter to be moved / stowed by two people
- Vertical 6 ft. sidewalls maximize usable square footage
- Sealable vinyl floor maintains environmentally secure shelter (SW-20, SG-20, SK-20)
- Can be configured with roof or walls only for maximum flexibility in deployment
- Interior frame allows access to horizontal support bars capable of holding up to 50 lbs
- Rigid double doors provide a large entryway
- Roof vent caps significantly reduces condensation
- Framework design allows individual replacement of parts
- Flame retardant vinyl is UV resistant for long life, resists mildew and abrasion

## Shelter Packages

SW-2360	SG-2360	SK-2360
1 Frame	1 Frame	1 Frame
2 Vent Cap	2 Vent Cap	2 Vent Cap
1 Roof	1 Roof	1 Roof
1 Wall	1 Wall	1 Wall
4 Double Door	4 Double Door	4 Double Door w/ Filler Panels
2 Stake Kit	2 Stake Kit	2 Stake Kit
1 Vinyl Repair Kit	1 Vinyl Repair Kit	1 Vinyl Repair Kit
1 Floor	1 Floor	1 Floor
4 Threshold Ramp	4 Threshold Ramp	4 Threshold Ramp
	1 Insulation Roof	1 Insulation Roof
	1 Wiring Harness	1 Wiring Harness
	8 T36 Lights	13 T36 Lights
		1 Insulation Wall Set





## 2360 Specifications

Usable Area	22' 8" x 60' 1"	(5.7 x 10.4 m)
Total Weight	998 lbs	(452 kg)
Environment	-20°F to 140°F	(-40°C to 60°C)
Snow Load	10 lbs / ft <sup>2</sup> for 12 hrs	(50 kg / m <sup>2</sup> for 12 hrs)
Wind Load	55 mph w/gusts to 65 mph	(89 km/h w/gusts to 105 km / h)
Time Under Canopy	40 min / 4 personnel	
Total Set-Up Time	60 min / 6 personnel	
Square Footage	1274 ft <sup>2</sup>	(118m <sup>2</sup> )
Cube	7644 ft <sup>3</sup>	(216m <sup>3</sup> )
<b>Dimensions</b>		
Footprint	22' 8" x 60' 1"	(5.7 x 10.4 m)
Sidewall	6'	(1.8m)
Peak	12'	(3.6m)
<b>Packaged Dimensions</b>		
Roof	21 x 23 x 14"	(53 x 58.5 x 35.5 cm)
Door (4)	26 x 3.5 x 72"	(66 x 9 x 183 cm)
Wall (2)	28 x 28 x 14"	(71 x 71 x 35.5 cm)
Vinyl Floor	23 x 20 x 14"	(58.5 x 51 x 35.5 cm)
Frame (3)	91 x 16 x 16"	(231 x 40.5 x 40.5 cm)
Berry Compliant Option		✓



## Recommended Support Systems

### Shelter Connecting Systems

Increase the footprint of your shelter system with rigid frame connectors and entryways

### Electrical Distribution

Portable power and lighting to sustain your shelter complex

### Climate Control

Air heating, cooling, purifying and dehumidifying

### Water Distribution

Purification, storage, heating and distribution kits

### Hygiene Systems

Field showers and toilet stations

### Storage And Transport

Heavy-duty cases and customizable cargo trailers

### Digital ID

Your logo or name custom printed on roofs and doors for easy identification

### Anchoring Systems

Secure your shelter against high winds

### Shelter Accessories

Beds, work stations, tables, seating and food prep

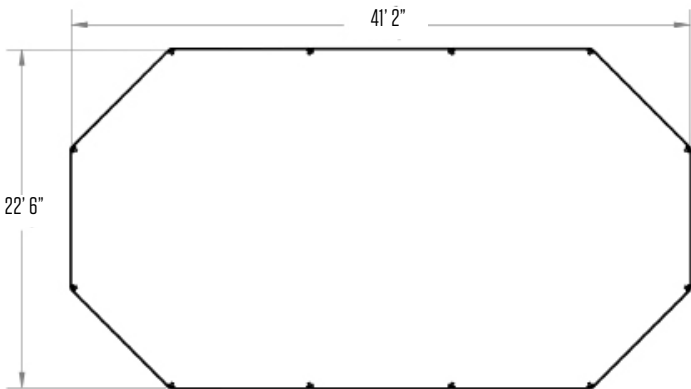


## Features and Benefits

- Rapid deployment without aid of ancillary equipment, no tools necessary
- Vertical walls to maximize usable square footage of over 840 sq. ft
- Sealable vinyl floor maintains environmentally secure shelter
- Can be configured with roof or walls only for maximum flexibility in deployment
- Interior frame allows access to horizontal support bars capable of hanging supplies up to 50 lbs
- Rigid double doors provide a large entryway with ramp, to allow use of wheel chairs, gurneys and movement of large equipment in and out of shelter
- Roof vent caps significantly reduce condensation
- Assemble and disassemble in 30 to 50 minutes with a 6 to 8 person crew
- Framework design allows individual replacement of parts
- Flame retardant vinyl allows for safe occupation of shelter
- UV resistant, resists mildew and abrasion for longer life

## Components

- Aircraft grade aluminum mainframe assembly
- Wiring harness with 16 outlets
- 14 oz. vinyl wall panels (8)
- 14 oz. vinyl roof panel
- 18 oz. sealable vinyl floor
- Double door with door ramp (2)
- Roof vent cap (2)
- High-wind tie down kit
- Expansion wall strips
- Vinyl repair kit
- Vinyl storage/transport bags



## Specifications

Usable Area	22' 6" x 41' 2"	(6.85 x 12.5 m)
Total Weight	769 lbs	(348.8 kg)
Environment	-20°F to 140°F	(-40°C to 60°C)
Snow Load	10 lbs / ft <sup>2</sup> for 12 hrs	(50 kg / m <sup>2</sup> for 12 hrs)
Wind Load	55 mph w/gusts to 65 mph	(89 km/h w/gusts to 105 km / h)
Time Under Canopy	30 min / 4 personnel	
Total Set-Up Time	50 min / 6 personnel	
Square Footage	840 ft <sup>2</sup>	(78 m <sup>2</sup> )
Cube	7,071 ft <sup>3</sup>	200.2 m <sup>3</sup>

### Dimensions

Footprint	22' 6" x 41' 2"	(6.85 x 12.5 m)
Sidewall	6'	(1.8m)
Peak	12'	(3.6m)

### Packaged Dimensions

			Weights	
Frame	113 x 20 x 20"	(287 x 50.8 x 50.8 cm)	532 lbs	(241.3 lbs)
Door (4)	26 x 3.5 x 72"	(66 x 9 x 183 cm)	90 lbs	(40.8 kg)
Roof	Stacked on pallet		108 lbs	(48.9 kg)
Walls	Stacked on pallet		121 lbs	(54.8 kg)
Vinyl Floor	Stacked on pallet		130 lbs	(58.9 lbs)

Berry Compliant ✓



## Features and Benefits

- Lightweight and easy to transport or carry
- Setup in as little as 90 seconds with two people
- Rated for extreme environments
  - Snow load: 5 lbs per ft<sup>2</sup> (0.24 kPa)
  - Wind: 55 mph (88.5 kph) sustained / 65 mph (104.6 kph) gusts
- Scalable – multiple shelters can be joined together through door openings
- Durable construction for extended deployments in austere conditions
- Includes ground anchors and wind lines
- Accessories include: lights, flooring, power generation, air conditioners, heaters, command and control components, hygiene showers, medical/first aid components, ruggedized furniture and waterproof cases

### Packages

SC-1216	SC1216K	SC-1618	SC-1618K
Shelter	Shelter	Shelter	Shelter
Liner	Liner	Liner	Liner
Floor	Floor	Floor	Floor
	Lights		Lights
	Electrical Distribution		Electrical Distribution
	Case		Case

## Specifications

Part #	SC-1612		SC-1618	
Usable Area	12 x 15'	(3.66 x 4.57 m)	18 x 15'	(5.49 x 4.57 m)
Total Weight	175 lbs	(79 kg)	221 lbs	(100 kg)
Time Under Canopy	1 minute / 2 personnel		1 minute / 2 personnel	
Total Set-Up Time	3 - 5 min / 2 personnel		4 - 7 min / 2 personnel	
Square Footage	180 ft <sup>2</sup>	(16.7 m <sup>2</sup> )	270 ft <sup>2</sup>	(25.1 m <sup>2</sup> )
Snow Load	5 lbs/ft <sup>2</sup>	(25 kg/m <sup>2</sup> )	5 lbs/ft <sup>2</sup>	(25 kg/m <sup>2</sup> )
Wind Load	55 mph / gusts 65 mph	(89 kmh / gusts 105 kmh)	55 mph / gusts 65 mph	(89 kmh / gusts 105 kmh)
<b>Dimensions</b>				
Footprint	12 x 16'	(3.66 x 4.9 m)	18 x 16'	(5.5 x 4.9 m)
Peak	8'	(2.5 m)	8'	(2.5 m)
<b>Packaged Dimensions and Weights</b>				
Package 1	73 x 22 x 16"	(185 x 56 x 41 cm)	135 lbs (61 kg)	73 x 26 x 19" (185 x 66 x 48 cm) 175 lbs (79 kg)
Package 2	40 x 20 x 10"	(102 x 51 x 25 cm)	40 lbs (18 kg)	40 x 24 x 14" (102 x 61 x 36 cm) 221 lbs (100 kg)

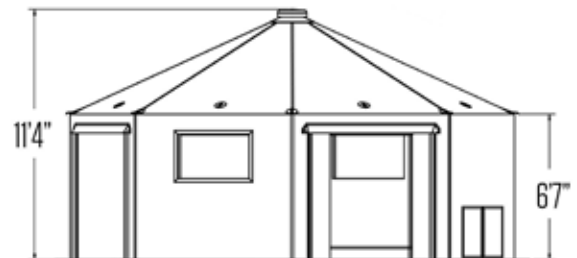
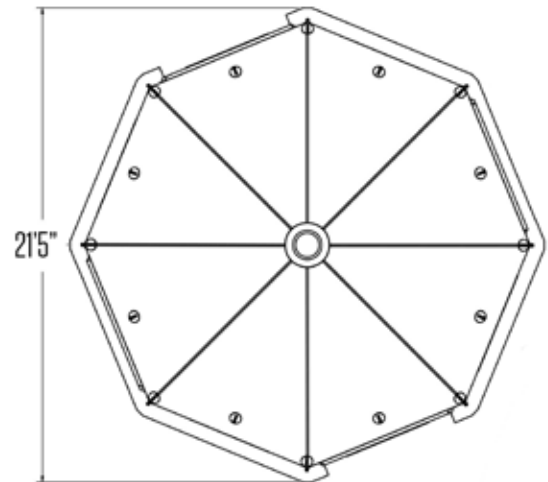


## Features and Benefits

- Rapidly deploys with only four people and no additional tools or equipment
- Cover set and insulation only require two packages, with the roof, walls, and roof insulation in one, and the floor and wall insulation in the other.
- 6.5 foot vertical sidewalls maximize square footage and expedite ingress and egress
- Blackout vinyl cover set allows for zero light emittance
- Single piece roof and wall design results in superior water resistance
- Combined vinyl floor and wall insulation simplifies setup
- Permanently attached roof vent significantly reduces condensation
- Framework design allows for individual replacement of parts

## Components

- Aircraft aluminum mainframe assembly
- 14 oz. exterior vinyl cover set with attached vent roof cap
- 18 oz. vinyl floor plus wall insulation set
- Zippered doors (2 standard, up to 4 doors)
- Windows with replaceable screens and clear vinyl (2)
- High-wind tie down kit
- Duct openings (4)
- Vinyl repair kit
- Vinyl storage/transport bags



## Guardian 20 Specifications

Usable Area	18' 7" x 18' 7"	(5.7 x 5.7 m)
Total Weight	334 lbs	(151.5 kg)
Environment	-40°F - 120°F	(4.4°C to 49°C)
Time Under Canopy	16 min / 4 personnel	
Total Set-Up Time	25 min / 4 personnel	
Square Footage	286 ft <sup>2</sup>	(27 m <sup>2</sup> )
Cube	2,177 ft <sup>3</sup>	(62 m <sup>3</sup> )
<b>Dimensions</b>		
Footprint	21' 5" x 21' 5"	( 6.5 x 6.5 m)
Sidewall	6' 7"	(2.0 m)
Peak	11' 3"	(3.4 m)
<b>Packaged Dimensions</b>		
Frame	91 x 14 x 16"	(2.3 x 0.35 x 0.4 m)
Exterior Vinyl/Roof Insulation	38 x 28 x 18.05"	(0.9 x 0.9 x 0.45 m)
Floor	28 x 24 x 12"	(0.7 x 0.6 x 0.3 m)
<b>Weights</b>		
Frame	134 lbs	102 kg
Exterior Vinyl/Roof Insulation	125 lbs	57 kg
Floor	75 lbs	60.8 kg
Berry Compliant	✓	

## Recommended Support Systems

### Shelter Connecting Systems

Increase the footprint of your shelter system with rigid frame connectors and entryways

### Electrical Distribution

Portable power and lighting to sustain your shelter complex

### Climate Control

Air heating, cooling, purifying and dehumidifying

### Water Distribution

Purification, storage, heating and distribution kits

### Hygiene Systems

Field showers and toilet stations

### Storage And Transport

Heavy-duty cases and customizable cargo trailers

### Digital ID

Your logo or name custom printed on roofs and doors for easy identification

### Anchoring Systems

Secure your shelter against high winds

### Shelter Accessories

Beds, work stations, tables, seating and food prep



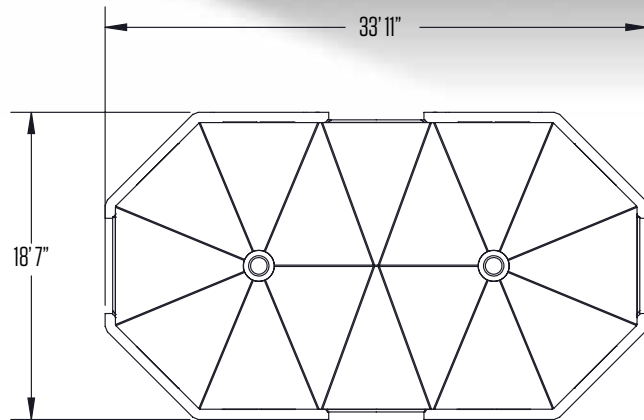
Shown here with optional entryway

## Features and Benefits

- Blackout vinyl cover set allows for zero light emittance
- Single piece roof and wall design results in superior water resistance
- Combined vinyl floor and wall insulation simplifies setup
- Permanently attached roof vent significantly reduces condensation
- Framework design allows for individual replacement of parts
- Optional integrated cable management system
- Shelter can be configured with one to four doors

## Components

- Aircraft aluminum mainframe assembly
- 14 oz. exterior vinyl cover set with attached vent roof cap
- 18 oz. vinyl floor plus wall insulation set
- Zippered doors (2 standard, up to 4 doors)
- Windows with replaceable screens and clear vinyl (4)
- High-wind tie down kit
- Duct openings (8)
- Vinyl repair kit
- Vinyl storage/transport bags



## Guardian 1935 Specifications

<b>Usable Area</b>	18' 7" x 33' 11" (5.7 x 10.4 m)		
<b>Total Weight</b>	658 lbs (298.4 kg)		
<b>Environment</b>	-40°F - 120°F (4.4°C to 49°C)		
<b>Snow Load</b>	10 lbs / ft <sup>2</sup> for 12 hrs (50 kg / m <sup>2</sup> for 12 hrs)		
<b>Wind Load</b>	55 mph w/gusts to 65 mph (89 km/h w/gusts to 105 km/h)		
<b>Total Set-Up Time</b>	30 min / 4 personnel		
<b>Square Footage</b>	570 ft <sup>2</sup> (53m <sup>2</sup> )		
<b>Cube</b>	3,420 ft <sup>3</sup> (96.84 m <sup>3</sup> )		
<b>Dimensions</b>			
Footprint	18' 7" x 33' 11" (5.7 x 10.4 m)		
Sidewall	6' (1.8m)		
Peak	10' 10" (3.3m)		
<b>Packaged Dimensions</b>		<b>Weights</b>	
Exterior Vinyl/ Roof Insulation	36" x 24" x 48" (0.9 x 0.6 x 1.2 m)	235 lbs (106.5 kg)	
Floor/Wall Insulation	24" x 28" x 24" (0.6 x 0.7 x 0.6 m)	132 lbs (59.8 kg)	
Frame #1	91 x 16 x 16" (231 x 40.5 x 40.5 cm)	126 lbs (57 kg)	
Frame #2	91 x 14 x 16" (231 x 35.5 x 40.5 cm)	108 lbs (49 kg)	

## Recommended Support Systems

### Shelter Connecting Systems

Increase the footprint of your shelter system with rigid frame connectors and entryways

### Electrical Distribution

Portable power and lighting to sustain your shelter complex

### Climate Control

Air heating, cooling, purifying and dehumidifying

### Water Distribution

Purification, storage, heating and distribution kits

### Hygiene Systems

Field showers and toilet stations

### Storage And Transport

Heavy-duty cases and customizable cargo trailers

### Digital ID

Your logo or name custom printed on roofs and doors for easy identification

### Anchoring Systems

Secure your shelter against high winds

### Shelter Accessories

Beds, work stations, tables, seating and food prep



## Features and Benefits

- Commercial anodized aluminum for lightweight strength and durability
- Compact package for effortless transportation and portability
- Superb visual smooth aluminum finishing for professional presentation
- 600 denier polyester offers black-out capability for video villages
- Optional wall panels attach easily with hook and loop
- Zipper wall closure for easy access
- Available in three sizes and a variety of colors

Standard Duty Shelter	Part #	Wall Panel Option	Color Options*	Vinyl Option**	Weight
10' x 10' Shelter Includes Frame, Roof, Dust Cover	SP-1010	4 each PA-SPWP10	BK, WT, GR, FG, NB, RB, RD, OR, YL, BG	V	36 lb (16 kg)
10' x 15' Shelter Includes Frame, Roof, Dust Cover	SP-1015	2 ea. PA-SPWP10 + 2 ea. PA-SPWP15	BK, WT, GR, FG, NB, RB, RD, OR, YL, BG	V	47 lb (21 kg)
10' x 20' Shelter Includes Frame, Roof, Dust Cover	SP-1020	6 each PA-SPWP10	BK, WT, GR, FG, NB, RB, RD, OR, YL, BG	V	62 lb (28 kg)
Heavy-Duty Frame Shelter					
10' x 10' Shelter Includes Frame, Roof, Dust Cover	SP-1010HD	4 each PA-SPWP10	BK, WT, GR, FG, NB, RB, RD, OR, YL, BG		
10' x 15' Shelter Includes Frame, Roof, Dust Cover	SP-1015HD	2 each SP-1015 + 2 each SP1015	BK, WT, GR, FG, NB, RB, RD, OR, YL, BG		
10' x 20' Shelter Includes Frame, Roof, Dust Cover	SP-1020HD	6 each SP-1020	BK, WT, GR, FG, NB, RB, RD, OR, YL, BG		
Individual Wall Panels					
10' Wall Panel	PA-SPWP10		BK, WT, GR, FG, NB, RB, RD, OR, YL, BG	V	
15' Wall Panel	PA-SPWP15		BK, WT, GR, FG, NB, RB, RD, OR, YL, BG	V	
Wall Panel Options					
Window	WN (Add to end of panel part #)				
Door	DO (Add to end of panel part #)				

\*Add 2 letter color code to end of shelter part#. BLACK-BK, WHITE-WT, GREEN-GR, FOREST GREEN-FG, NAVY BLUE-NB, ROYAL BLUE-RB, RED-RD, ORANGE-OR, YELLOW-YL, BEIGE-BG

\*\*Add V to end of part # if vinyl is the desired cover material



## Stake Down Options



SO-HWTDSK4



SO-HWTDSB4



SO-HWTDSRB4



SO-HWTDSHD4

Part Number	Dimensions
SO-HWTDSB4	High-wind tie-down Sand Bag Kit for SP-1010, SP-1015, SP-1020. Set of 4
SO-HWTDSK4	High-wind tie-down Stake Kit for SP-1010, SP-1015, SP-1020. Set of 4
SO-HWTDSHD4	High-wind tie-down Heavy Wind tie down assembly. Includes 3/8" rope with ratchet assembly. Sold as individual rope/ratchet set.
SO-HWTDSRB4	High-wind tie-down 30lbs Rubber Weight. Sold as individual weight



## Standard Duty Shelter Details



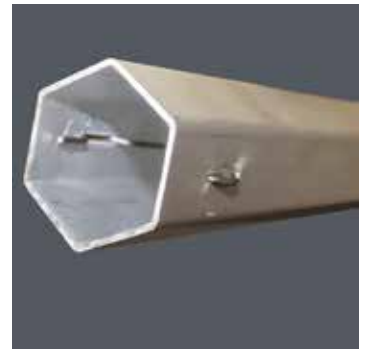
High Quality ABS Fittings For Frame Support



Crank Up Technology Adjusts Peak Tension



Reinforced Truss Bars For Stability



45 mm Hexagonal Legs For Frame Durability

## Heavy Duty Shelter Details



50mm Hexagonal Legs



Fiberglass Fittings



Oversized Triangle Footplates



Reinforced Oval Truss Bars

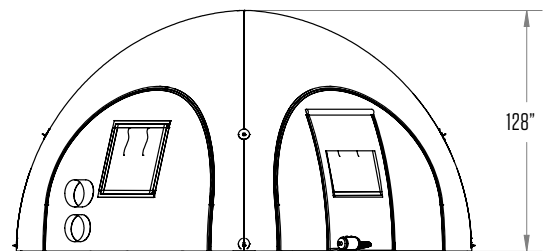
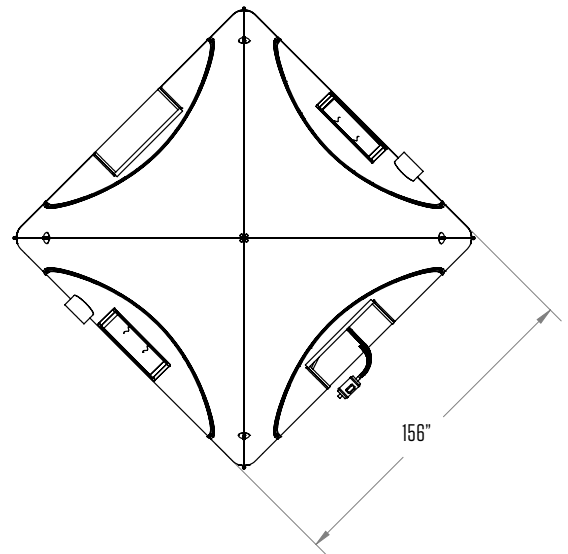


## Features and Benefits

- Rapidly deployable by only two people
- Lightweight design allows for a wide variety of transportation options
- Fits in a single package for easy storage
- Modular construction allows for simple connections to other shelters
- Sealable vinyl floor maintains environmentally secure shelter
- Optional zip-in connector joins shelters to form larger complexes
- Available in Beige (Part # SI-1313BG) and White (Part # SI-1313WT)

## Sentry 13 Specifications

Dimensions	13' x 13' x 10'6"	(3.9 x 3.9 x 3.2 m)
Weight	131 lbs	(59.5 kg)
Time Under Canopy	3 - 4 minutes	
Square Footage	162 ft <sup>2</sup>	(15 m <sup>2</sup> )
Cube	1180 ft <sup>3</sup>	(33.4 m <sup>3</sup> )
Tube Circumference	50"	(1.2 m)
Packaged Dimensions	48 x 36 x 20"	(1.2 x 0.9 x 0.5 m)
Vinyl Specs	Cover: 9 oz Vinyl	Floor: 18 oz Vinyl
Pump Dimensions	22 x 8 x 11"	(56 x 20 x 28 cm)
Pump Weight	26 lbs	(11.7 kg)
Pump Motor 8.0 Peak HP	19 Amps	2,280 Watts
Pump Airflow	58,500 FPM	



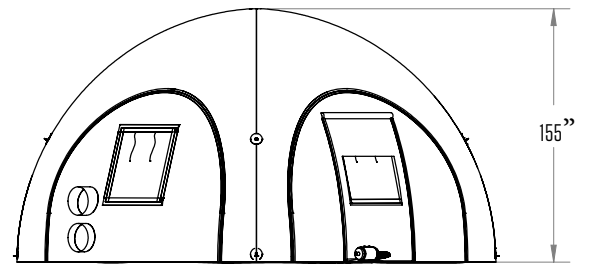
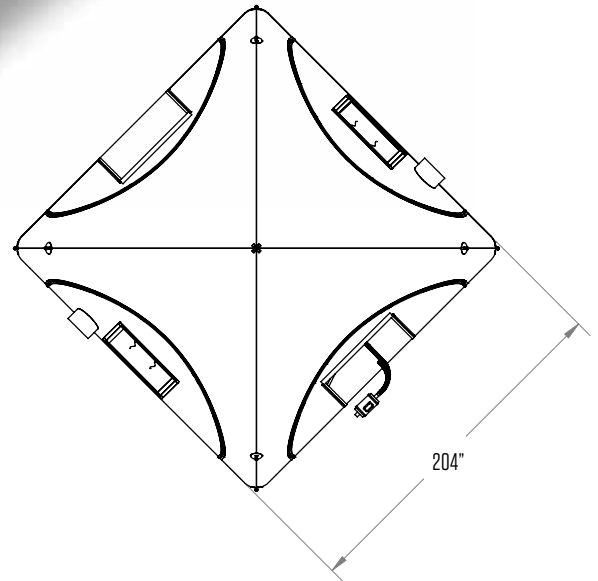


**Features and Benefits**

- Rapidly deployable by only two people
- Lightweight design allows for a wide variety of transportation options
- Fits in a single package for easy storage
- Modular construction allows for simple connections to other shelters
- Sealable vinyl floor maintains environmentally secure shelter
- Optional zip-in connector joins shelters to form larger complexes
- Available in Beige (Part # SI-1717BG) and White (Part # SI-1717WT)

**Sentry 17 Specifications**

Dimensions	17' x 17' x 12'9"	(5.1 x 5.1 x 3.9m)
Weight	168 lbs	(76.2kg)
Time Under Canopy	3 - 5 minutes	
Square Footage	271 ft <sup>2</sup>	(25.1m <sup>2</sup> )
Cube	3733 ft <sup>3</sup>	(105.7 m <sup>3</sup> )
Tube Circumference	61"	(1.5m)
Packaged Dimensions	60 x 42 x 26"	(1.5 x 1 x 0.6m)
Vinyl Specs	Cover: 9 oz Vinyl	Floor: 18 oz Vinyl
Pump Dimensions	22 x 8 x 11"	(56 x 20 x 28 cm)
Pump Weight	26 lbs	(11.7 kg)
Pump Motor 8.0 Peak HP	19 Amps	2,280 Watts
Pump Airflow	58,500 FPM	





## Features and Benefits

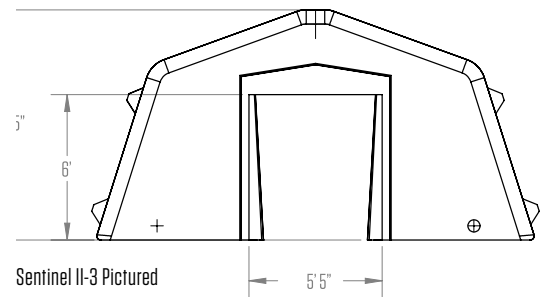
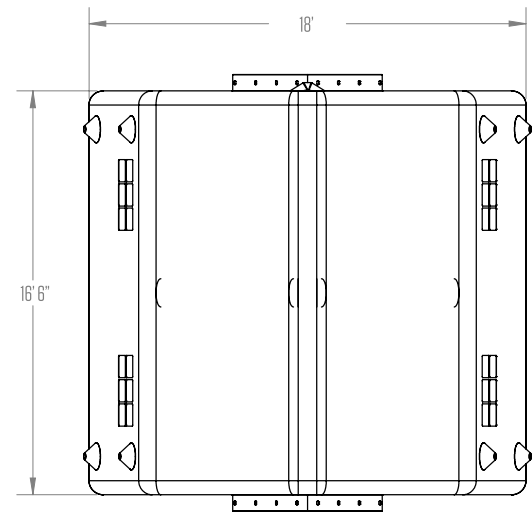
- Speed and ease of deployment—ready for use in under 6 minutes.
- All-weather inflator and hose kit
- Modular design allows shelters to connect in any direction
- Sealable vinyl floor maintains environmentally secure shelter
- Available in sizes ranging from 312 ft<sup>2</sup> to 840 ft<sup>2</sup>.
- Wind load 55 mph with gusts to 65 mph.
- Color options include white, orange, desert sand and dark green

## Components

- Electric inflator
- Flooring
- Pre-fitted docking zippers around doors

## Optional

- Rigid Door Upgrade allows conversion from zippered door to rigid double door.
- Vestibule Entryway
- Vestibule Connector



Sentinel II-3 Pictured

## Sentinel Specifications

Part Number	Sentinel II-3	Sentinel II-4	Sentinel II-5	Sentinel II-6
	SW-SII3W (white)	SW-SII4W (white)	SW-SII5W (white)	SW-SII6W (white)
	SW-SII3G (green)	SW-SII4G (green)	SW-SII5G (green)	SW-SII6G (green)
	SW-SII3S (sand)	SW-SII4S (sand)	SW-SII5S (sand)	SW-SII6S (sand)
	SW-SII3O (orange)	SW-SII4O (orange)	SW-SII5O (orange)	SW-SII6O (orange)
Square Footage	312 ft <sup>2</sup> (95 m <sup>2</sup> )	452 ft <sup>2</sup> (137.8 m <sup>2</sup> )	603 ft <sup>2</sup> (183.8 m <sup>2</sup> )	840 ft <sup>2</sup> (256 m <sup>2</sup> )
Total Weight	431 lbs (195.5 kg)	536 lbs (243.2 kg)	640 lbs (290.3 kg)	604 lbs (274 kg)
Setup Time	4 min	5 min	6 min	6 min
Environment	-20°F to 135°F (-29°C to 57°C)			
Wind Load	55 mph w/gusts to 65 mph (89 km/h w/gusts to 105 km/h)			
<b>Dimensions</b>				
Footprint	16'11" x 18'4" (5.2 x 5.8 m)	24'9" x 18'4" (7.4 x 5.8 m)	32'8" x 18'4" (10 x 5.8 m)	40'6" x 20'8" (12.4 x 5.8 m)
Arches	3	4	5	6
Peak	9'2"	9'2"	9'2"	10'2"
<b>Packaged Dimensions</b>				
Tent	47" x 39" x 26" (1.2 x 1 x 0.7 m)	51" x 39" x 28" (1.3 x 1 x 0.7 m)	55" x 39" x 30" (1.4 x 1 x 0.8 m)	59" x 39" x 35" (1.5 x 1 x 0.9 m)
Tents per 20' Container	15	15	12	12
Poles	16" x 16" x 43" (0.4 x 0.4 x 1.1 m)			
Pegs and Hammer	16" x 16" x 24" (0.4 x 0.4 x 0.6 m)			
Electric Inflator	24" x 24" x 43" (0.6 x 0.6 x 1.1 m)			

## Recommended Support Systems

### Shelter Connecting Systems

Increase the footprint of your shelter system with rigid frame connectors and entryways

### Electrical Distribution

Portable power and lighting to sustain your shelter complex

### Climate Control

Air heating, cooling, purifying and dehumidifying

### Water Distribution

Purification, storage, heating and distribution kits

### Hygiene Systems

Field showers and toilet stations

### Storage And Transport

Heavy-duty cases and customizable cargo trailers

### Digital ID

Your logo or name custom printed on roofs and doors for easy identification

### Anchoring Systems

Secure your shelter against high winds

### Shelter Accessories

Beds, work stations, tables, seating and food prep





## Features and Benefits

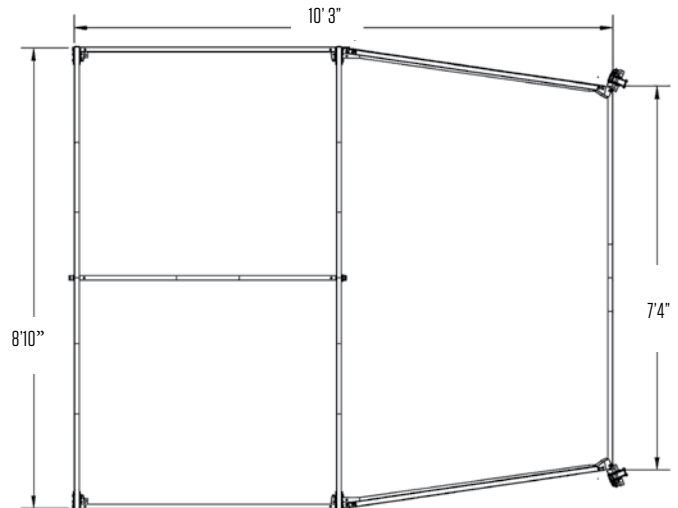
- Airbeam collar provides weather-tight fit around the trailer
- Protection from the elements while optimizing trailer floor space
- Privacy allows for continued operations without exposing staff to prying eyes
- No tools necessary minimize the need for extra supplies or equipment
- Ambulance docking allows transfer of ambulance patients out of the weather

## Standard Components

- Aircraft Grade Aluminum Frame (6063-T5 And 6061-T6)
- Sealable Floor System
- Integrated Vinyl And Insulation Roof Panels
- 14 Oz. Vinyl Wall Panels
- 3-Part Environmental Partition
- High-Wind Tie-Down Stake Kit (4 Sets)
- Vinyl Storage And Transport Bag

## TR-STOCV Specifications

<b>Usable Area</b>	10' 3" x 8' 10"	(3.1 x 2.7 m)
<b>Total Weight</b>	124 lbs	(56 kg)
<b>Total Set-Up Time</b>	20 min / 4 personnel	
<b>Dimensions</b>		
Footprint	10' 3" x 8' 10"	(3.1 x 2.7 m)
Peak	10'	(3m)
Square Footage	105ft <sup>2</sup>	(9.75m <sup>2</sup> )
Cubic Volume	964 ft <sup>3</sup>	(27.2 m <sup>3</sup> )
<b>Packaged Dimensions</b>		
Vinyl Bag	27 x 23 x 17"	(0.6 x 0.58 x 0.43 m)
Frame Bag	117 x 18 x 18"	(2.9 x 0.45 x 0.45 m)





**Features and Benefits**

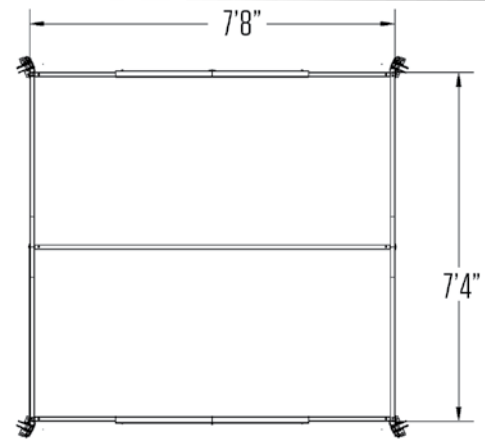
- **Expandability:** allows for unlimited expansion of Western Shelter systems
- **Quickly deployable:** integrates with the existing shelter in only 10 minutes by one trained person and one volunteer
- **Additional square footage:** expands the operational footprint with 56 sq. ft. of usable floor space in a 7' 8" x 7' 4" space with 6' head clearance
- **Flexibility:** connects to an existing shelter at the wall seam or doorway allowing you to expand to given footprint
- **Negative/positive isolation** can be achieved with Isolation upgrade kit
- **Standardized components** provide easy shelter integration

**Components**

- Aircraft aluminum mainframe assembly constructed of 6063-T5/T6
- Sealable floor
- Integrated vinyl and insulation roof panels
- 3-part environmental partition
- Vinyl storage/transport bags

**SQ-VC8H Specifications**

<b>Usable Area</b>	56 ft <sup>2</sup>	(5.2 m <sup>2</sup> )
<b>Total Weight</b>	65 lb	(29.5 kg)
<b>Total Set Up-Time</b>	10 min / 1 personnel	
<b>Dimensions</b>		
<b>Footprint</b>	7' 8" x 7' 4"	(2.3 x 2.3 m)
<b>Sidewall</b>	6'	(1.8 m)
<b>Peak</b>	6' 7"	(2 m)
<b>Packaged Dimensions</b>	92" x 17" x 12"	(2.3 x 0.4 x 0.3 m)



Vestibule Connector with double doors installed

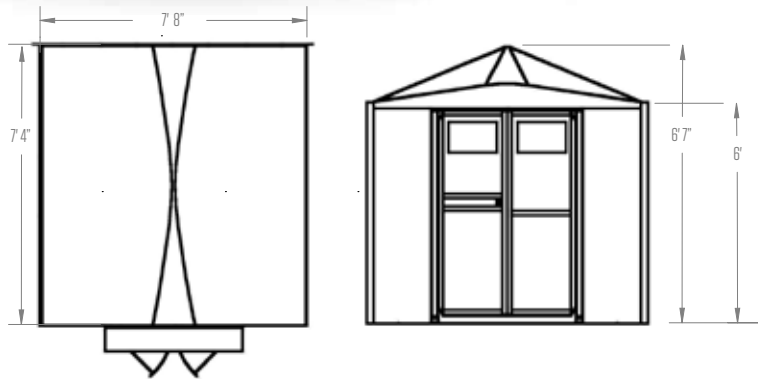


## Features and Benefits

- Antechamber serves as a sheltered entrance or mudroom
- Reduces introduction of air into shelter, conserving energy
- Expandability: allows for unlimited expansion of Western Shelter systems
- Quickly deployable: integrates with the existing shelter in only 10 minutes by one trained person and one volunteer
- Additional square footage: expands the operational footprint with 56 sq. ft. of usable floor space in a 7' 8" x 7' 4" space with 6' head clearance
- Flexibility: connects to an existing shelter at the wall seam or doorway allowing you to expand to given footprint
- Negative/positive isolation can be achieved with optional isolation upgrade kit
- Standardized components provide easy inter-agency shelter integration

## Components

- Aircraft aluminum mainframe assembly constructed of 6063-T5/T6
- Sealable floor
- Integrated vinyl and insulation roof panels
- 3-part environmental partition
- Vinyl storage/transport bags



## SO-VE8H Specifications

Usable Area	56 ft <sup>2</sup>	5.2 m <sup>2</sup>
Total Weight	56 lbs	(25 kg)
Total Set-Up Time	10 min / 1 personnel	
<b>Dimensions</b>		
Footprint	7' 8" x 7' 4"	(2.3 x 2.2 m)
Sidewall	6'	(1.8 m)
Peak	6' 7"	(2 m)
Packaged Dimensions	92" x 17" x 12"	(2.3 x 0.4 x 0.3 m)





**Features and Benefits**

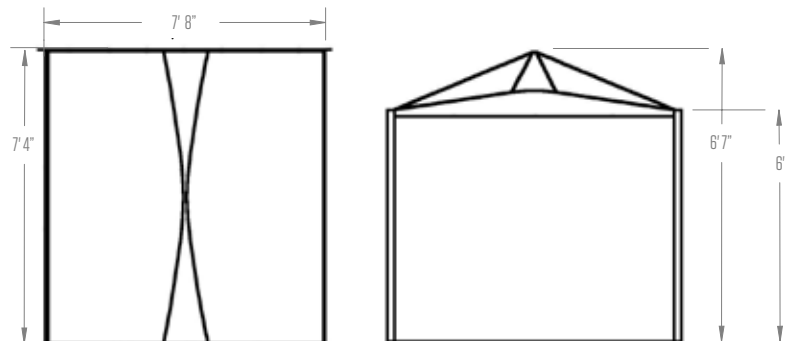
- Connects to GateKeeper shelter at an unused doorway or wall seam, provides extra room for storage, office space, ablutions or private exam room
- Quickly deployable: integrates with the existing shelter in only 10 minutes by one trained person and one volunteer
- Additional square footage: expands the operational footprint with 58 sq. ft. of usable floor space in a 8 x 8' space with 6' head clearance
- Flexibility: connects to an existing shelter at the wall seam or doorway allowing you to expand to given footprint
- Standardized components provide easy inter-agency shelter integration
- Accessible from interior of shelter
- Fits models GK-20 and GK-1935
- Sold as kit or as a separate unit

**Components**

- Aircraft aluminum mainframe assembly constructed of 6063-T5/T6
- Vinyl walls
- Sealable floor
- Integrated vinyl and insulation roof panels
- Vinyl storage/transport bags

**SO-VA8 Specifications**

Usable Area	56 ft <sup>2</sup>	5.2 m <sup>2</sup>
Total Weight	56 lbs	(25 kg)
Total Set-Up Time	10 min / 1 personnel	
<b>Dimensions</b>		
Footprint	7'8" x 7'4"	(2.3 x 2.2 m)
Sidewall	6'	(1.8 m)
Peak	6' 7"	(2 m)
Packaged Dimensions	92" x 17" x 12"	(2.3 x 0.4 x 0.3 m)





## Features and Benefits

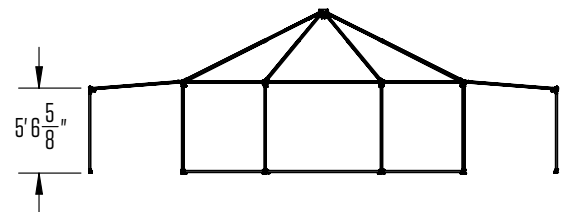
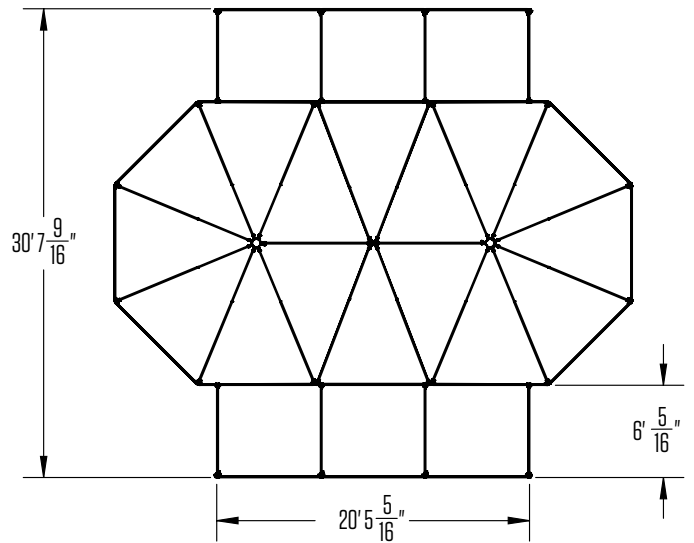
- Provides extra room for office space, storage and staging, triage or patient holding area
- Quickly deployable: integrates with the existing shelter in only 20 minutes by one trained person and one volunteer
- Additional square footage: expands the operational footprint with 122 sq. ft. of usable floor space in a 6' x 20' 5" space with 6' head clearance
- Standardized components provide easy inter-agency shelter integration
- Outside access with zip doors front and back

## Components

- Awning kit consists of roof with awnings off both sides plus four wall panels including zippered doors
- Aircraft aluminum mainframe assembly constructed of 6063-T5/T6
- Integrated vinyl and roof panels
- Vinyl storage/transport bags

## SO-1935AWN Specifications

<b>Usable Area</b>	120 ft <sup>2</sup> x 2	(11.1 m <sup>2</sup> ) x 2
<b>Total Weight (skidded)</b>	254 lbs	(115 kg)
<b>Total Set-Up Time</b>	20 min / 1 personnel	
<b>Dimensions</b>		
Footprint	6' x 20' 5"	(1.8 x 6.15 m)
Sidewall	5' 6.5"	(1.8 m)
<b>Packaged Dimensions</b>		





**Features and Benefits**

- Add privacy or simply designate work spaces
- Quick and easy to store and deploy
- Zipper doorway allows pass through access.
- Easy installation allows for placement before or after shelter set-up
- Divides any shelter to create separate work space and added privacy

**Components**

- Fabric Divider Wall
- Zipper Doorway
- Mounting Brackets

**PA-SHDW20 Specifications**

Dimensions	27 x 12 x 10"	(0.68 x 0.3 x 0.25 m)
Weight	18 lbs	(8 kg)
Cube	1.9 ft <sup>3</sup>	(0.05 m <sup>3</sup> )



Please note: the design of the interior door has been changed from product shown left

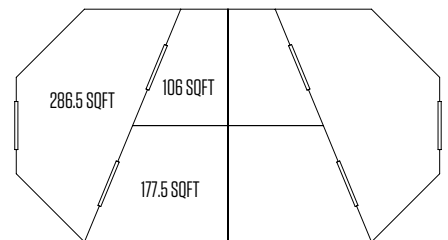
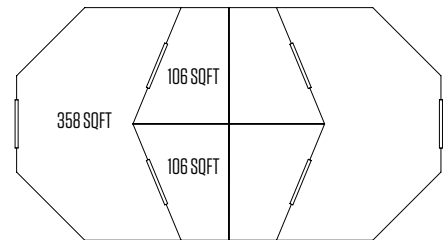
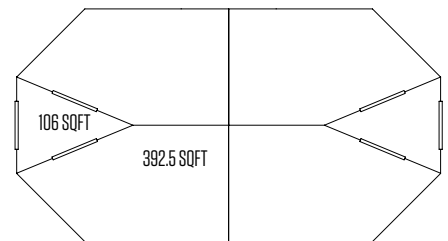


## Features and Benefits

- Fits all SW-1935 Shelters
- Four vinyl walls
- Four zippered doors
- Multiple options for room configuration

## SO-DW35X4WY Specifications

Packaged Dimensions	28 x 24 x 13"	(71 x 61 x 33 cm)
Weight	85 lbs	(38.5 kg)





## Features and Benefits

- Provides a clean and stable platform
- Allows gurneys, wheelchairs and other equipment to roll easily across the smooth, even flooring surface
- Custom-sized to fit shelters and vestibules
- Hinged sections are secured with simple hook-and-loop seam connections for easy installation

## Specifications

Product Number	SO-FL1935	SO-FL20	SO-FL2360	SO-FLV
Fits Shelter	1935	20	2360	Vestibule Connector/Entryway
Dimensions	18' 7" x 33' 11" (5.7 x 10.4 m)	18' 7" x 18' 7" (5.7 x 5.7 m)	22' 8" x 60' 1" (5.7 x 10.4 m)	7' 8" x 7' 4" (2.3 x 2.2 m)
Total Weight	488 lbs (221.3 kg)	245 lbs (111.1 kg)	1195 lbs (542 kg)	54 lbs
Number Of Sections	7	4	12	2
Thickness	0.5" (1.3 cm)	0.5" (1.3 cm)	0.5" (1.3 cm)	0.5" (1.3 cm)
Load Strength	500 psi	500 psi	500 psi	500 psi
Fire Resistance	UL94HB	UL94HB	UL94HB	UL94HB
Temperature Use	-35 to 200 F°	-35 to 200 F°	-95 to 200 F°	35 to 200 F





## Features and Benefits

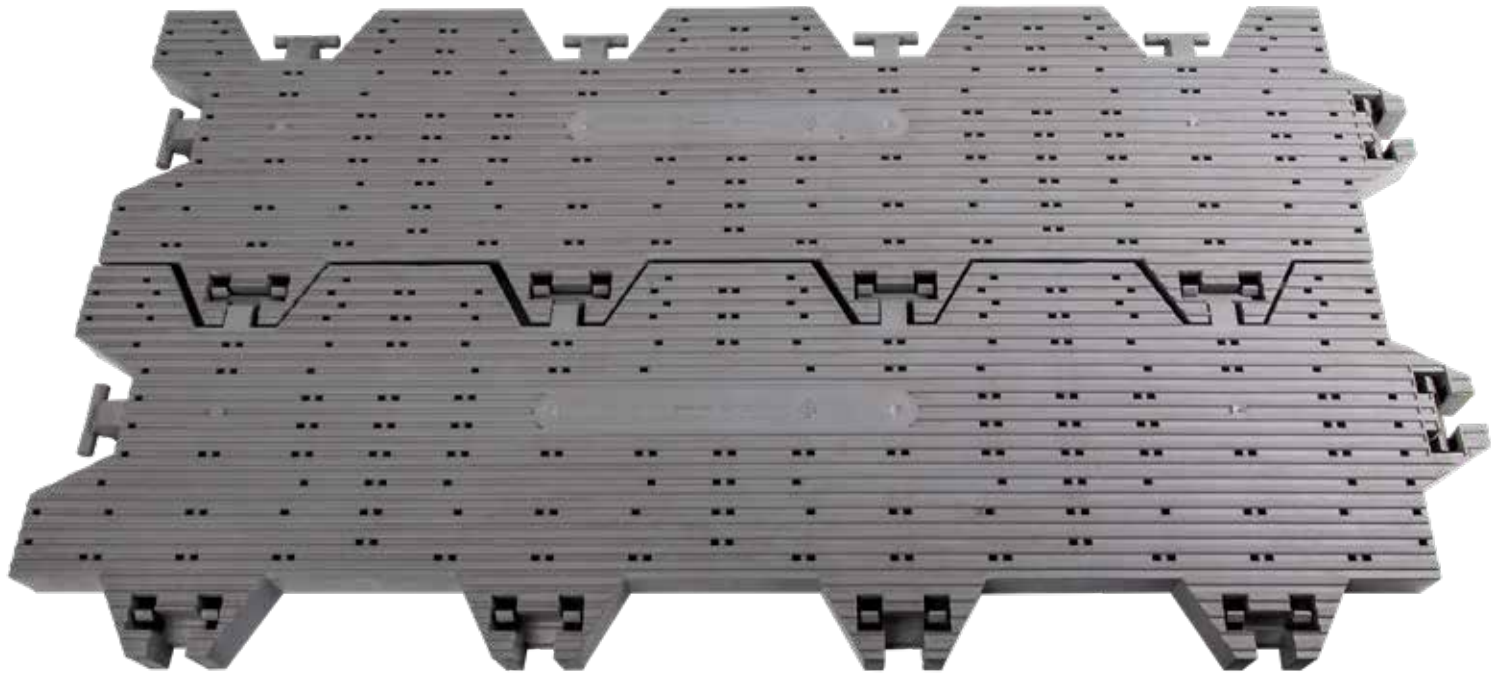
- Conforms to almost all ground types and conditions
- Constructed of high-impact polypropylene with UV inhibitors for long life
- Lightweight and easy to handle, it installs quickly without the need for tools
- Optional ADA-compliant edging ramps reduce the risk of tripping hazards.

## SO-FL312 FLOOR Specifications

Panel Dimensions	39 x 11.3 x 1.1"	(99 x 28.7 x 2.7 cm)
Panel Area	2.30 ft <sup>2</sup>	(0.2 m <sup>2</sup> )
Panel Weight	3.3 lbs	(1.4 kg)
Load Capacity	36,000 lbs / ft <sup>2</sup> (250 psi)	
Fire Ratings	UL94HB, ASTM 2859	

## Optional Floor Ramp





## Features and Benefits

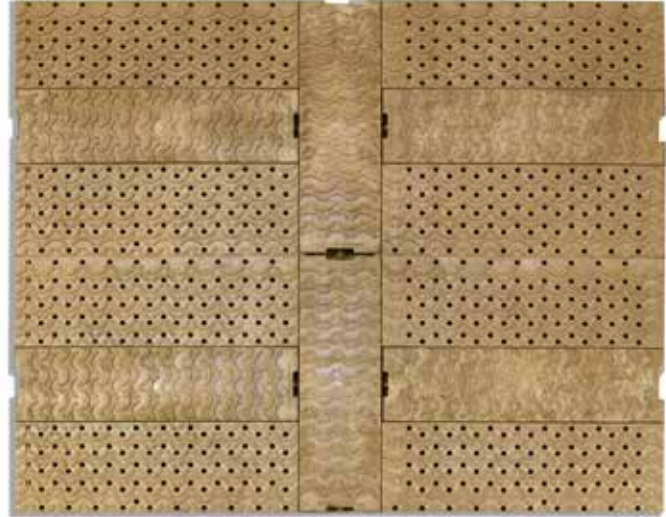
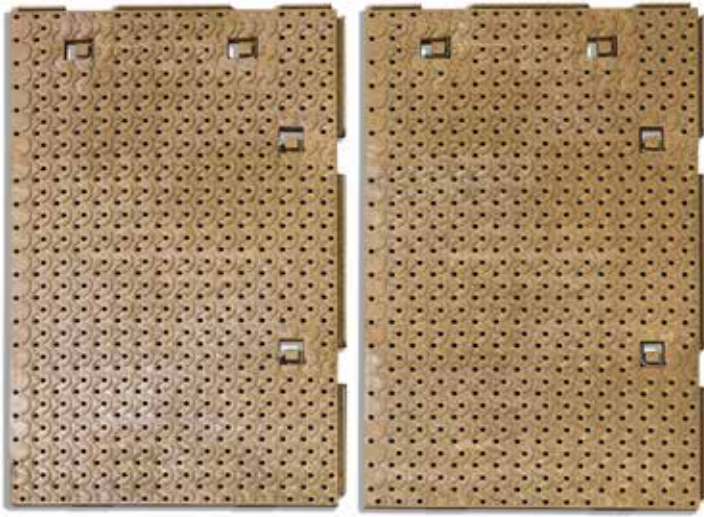
- Conforms to almost all ground types and conditions
- Constructed of high-impact polypropylene with UV inhibitors for long life
- Able to support forklifts and trucks on firm ground
- Panels allow light, moisture and air to flow through surface to turf
- Optional ADA-compliant edging ramps reduce the risk of tripping hazards

## S0-FL312 MED Specifications

Panel Dimensions	38 x 9 x 1.38"	(99 x 28.7 x 2.7 cm)
Panel Area	2.26 ft <sup>2</sup>	(0.2 m <sup>2</sup> )
Panel Weight	4.4 lbs	(1.4 kg)
Load Capacity	36,000 lbs / ft <sup>2</sup> (250 psi)	
Fire Ratings	UL94HB, ASTM 2859	

## Optional Floor Ramp





## Features and Benefits

- Rigid flooring system provides a strong and stable floor underneath the traditional Western Shelters
- Stacks flat and interlocks for stable load
- Approximately half the cubic displacement of two inch sheet version at approximately two-thirds the weight (SO-FL20BT1)
- Fast installation: no additional connectors, tools or training required
- Sheets self-align. Steel pins allow positive sheet connection (SO-FL20BT1)
- Flooring sheets are supplied on re-usable pallets with ratchet straps
- All one inch sheet components are modular, durable, interchangeable, and designed for repeated use
- Will support light vehicles



## Specifications

Part Number	One Inch Shelter Flooring SO-FL20BT1	Once Inch Vestibule Flooring SO-FLVCBT1	Two Inch Shelter Flooring* SO-FL20BT2	Two Inch Vestibule Flooring* SO-FL20BT2
Fits Shelter	20 Shelter System	Vestibule Connector	20 Shelter System	Vestibule Connector
Number of Tiles	30	9	30	9
Usable Area	420 ft <sup>2</sup> (128 m <sup>2</sup> )	126 ft <sup>2</sup> (128 m <sup>2</sup> )	420 ft <sup>2</sup> (128 m <sup>2</sup> )	126 ft <sup>2</sup> (128 m <sup>2</sup> )
Weight	786 lbs (356.5 kg)	235 lbs (106.5 kg)	1020 lbs (462.6 kg)	306 (138.7 kg)
Packaged Dimensions	32 x 42 x 48" (0.8 x 1 x 1.2 m)	9 x 42 x 48" (0.2 x 1 x 1.2 m)	62 x 42 x 48" (1.5 x 1 x 1.2 m)	20 x 42 x 48 (0.5 x 1 x 1.2 m)
Tile Dimensions	1 x 42 x 48" (0.03 x 0.6 x 1.2 m)		2 x 42 x 48" (0.03 x 0.6 x 1.2 m)	
Material	High density anti-static polyethylene			
Color	Desert Sand			

\*Two Inch Shelter flooring can be configured for In-Floor Cable Management system (ICM)





**Features and Benefits**

- Meets ADA single door width requirements at 36in, allowing for easier ingress with a wheel chair or crutches
- Includes a built in low profile base bar, resulting in a threshold that is more easily traversed by wheels
- Features an RV style latch that is lockable, and meets the ADA requirements for maximum pull weight
- Designed to fit a standard Western Shelter door opening, making it compatible with existing Gatekeeper Shelters without additional component

**S0-D046ADA Specifications**

<b>Dimensions</b>	72.5 x 54.75"	(184 x 139 cm)
<b>Packaged Dimensions</b>	74 x 54.25 x 3"	(188 x 137.7 x 7.6 cm)
<b>Weight</b>	40 lbs	(18.1 kg)





## Features and Benefits

- Proper anchoring kit for use when deploying shelters on asphalt or concrete
- Safety rated for high wind conditions
- All-in-one kit provides enough lag screws to secure up to six SW-1935 shelters
- Empathetic solution allows responders to leave area in as good a condition as found with repair kit

## Components

- 1/2" Hammer Drill
- Channel Lock Pliers
- Sledge Hammer
- Caulking Gun
- Wheeled Tape Measure
- Caution Tape
- Marker Twine
- Double Bolt Anchors (40)
- Turn-Eye Bolts (40)
- Tube Concrete And Tube Asphalt Repair (4 Each)
- 50' Extension Cord
- Chalk Line
- Ear Plugs (4 Pair) And Protective Glasses (2)
- Wheeled Protective Case

## SO-SPAK Specifications

Case Dimensions	12 x 12 x 30"	(30.4 x 30.4 x 76 cm)
Total Weight	85 lbs	(38.5 kg)



## Features and Benefits

- Added safety with proper staking of the shelter
- Standardized components provided to allow all necessary tools for proper staking
- The High Wind Tie-Down Kit are strongly recommended for use on every deployed shelter to protect against unanticipated weather

## Components

- Tie-Down Strap Assembly
- 18-Inch Stakes
- 8 lbs Sledge Hammer

## HWTSK Specifications

Product Number	HWTSK-2	HWTSK-4	HWTSK-6	HWTSK-8
Usage	Vestibule Connector	SW-20 Shelter System	SW-1935 Shelter System	SW-2360 Shelter System
Number of Straps/Stakes	2	4	6	8
Packaged Weight	12 lbs (5.4 kg)	16 lbs (7.2 kg)	20 lbs (9 kg)	24 lbs (10.8)

All HWTSK kits come standard with a sledge hammer



## Features and Benefits

- Secures shelters without stakes
- Quick and easy to store and deploy
- 50 gallon water anchor will weigh up to 420 lbs to create a secure anchoring point
- 4-inch fill port and garden hose fitting to allow for quick filling of bladder
- Perfect for deployment on concrete or pavement where drilling or driving stakes is not an option

## Components

### SO-HWWAK2

- 2 each 50 gallon Water Anchor with 4-inch fill port and garden hose fitting
- Comes with 4 each tie down straps
- 1 Vinyl Storage Bag

### SO-HWWAK4

- 4 each 50 gallon Water Anchor with 4-inch fill port and garden hose fitting
- Comes with 8 each tie down straps
- 2 Vinyl Storage Bags

### SO-HWWAK6

- 6 each 50 gallon Water Anchor with 4-inch fill port and garden hose fitting
- Comes with 12 each tie down straps
- 3 Vinyl Storage Bags

## Specifications

Dimensions (empty)	25 x 83 x .5"	(0.6 x 2.1 x 0.01 m)
Dimensions (rolled)	25 x 11 x 5"	(25 x 0.27 x 0.1 m)
Weight (empty)	7.6 lbs	(3.4 kg)
Weight (full)	420 lbs	(190.5 kg)



**Features and Benefits**

- The Wheeled Storage Case was designed to hold the complete content of one SG-1935 shelter, including insulation, wiring, doors and vestibule.
- Cases are constructed of .080" 6016-T6 aluminum with a powder-coated finish.
- The cover lifts completely off, and two top panels drop down for ease of loading and unloading
- Locking caster wheels allow for easy movement during deployment.
- Heavy-duty recessed lifting handles, and recessed latches.
- Foam padding protects contents during transport.



**CA-943448TC Specifications**

Dimensions	94 x 34 x 48"	(2.3 x 0.8 x 1.2 m)
Weight	306 lbs.	(138.8 kg)



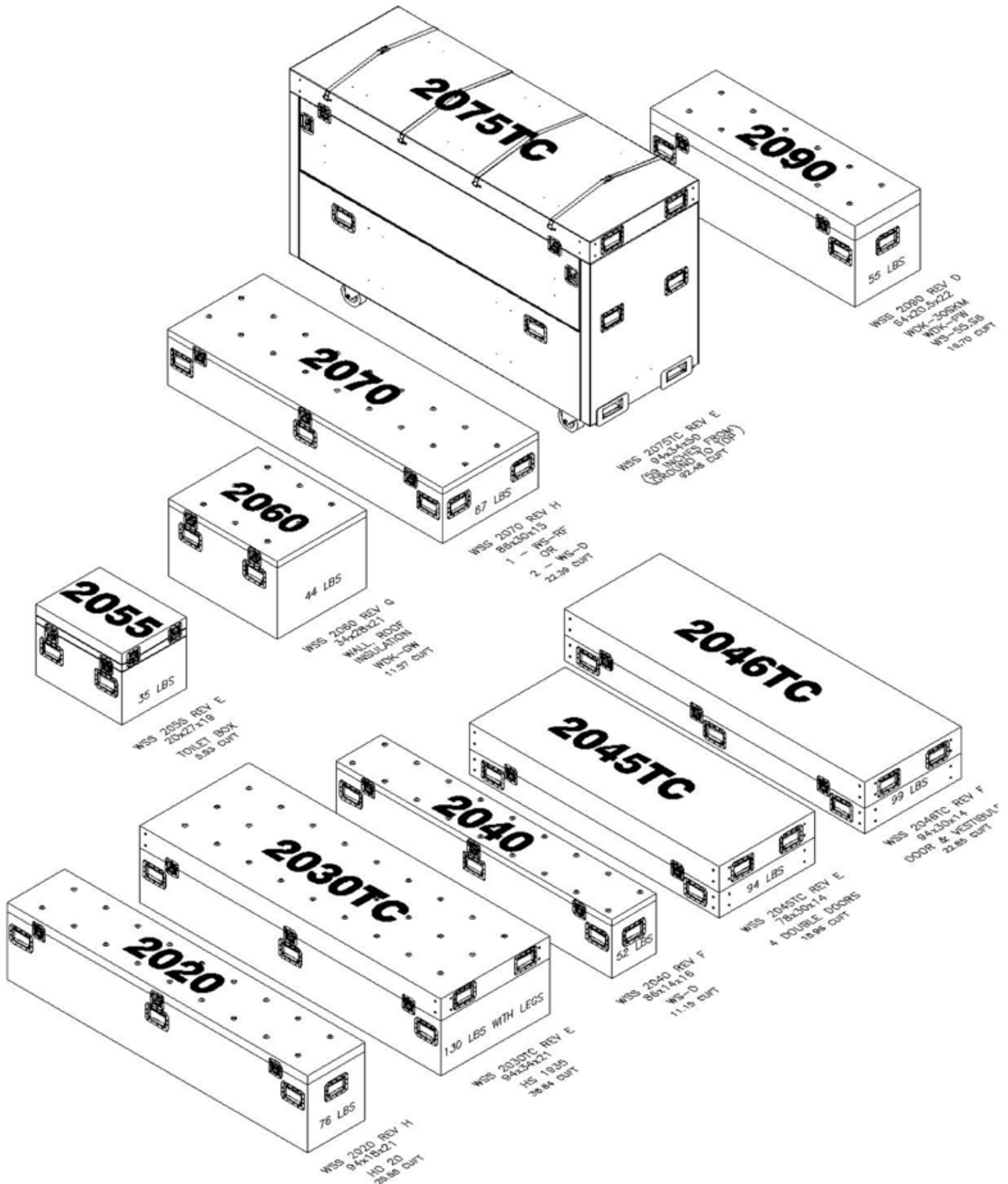
## Features and Benefits

- Cases are designed and the recommended loads configured for easy carrying, so that no handle supports more than 55 lbs. of weight
- Manufactured with a unique "dimple process" which allows the cases to securely stack on each other and so that they will not shift or slide during transport
- Tops are completely removable and, once deployed, a selected group of cases can be fitted with a conversion kit to enable the case to function as a desk or work surface
- Constructed of .080" 6016-T6 aluminum with powder-coated finish and foam padding to protect contents during transport.
- Heavy-duty recessed lifting handles, and recessed latches.



## Specifications

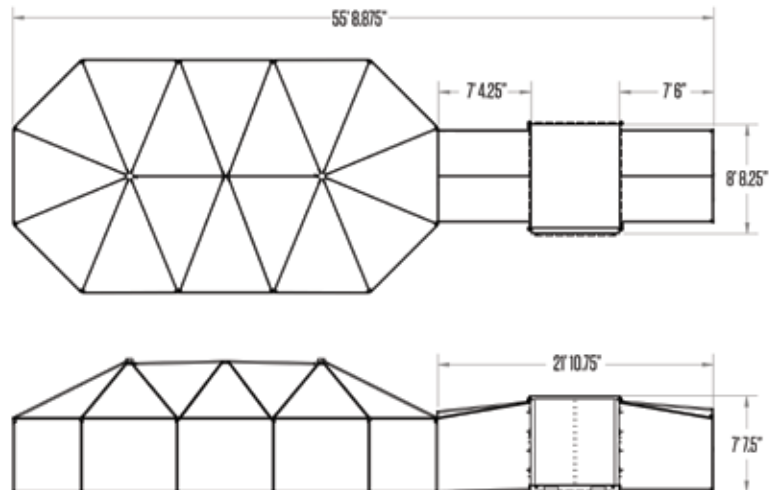
Part #	Leg Kit	Dimensions	Weight
CA-941821		94 x 18 x 21" (2.3 x 0.4 x 0.5 m)	92 lbs (41.7 kg)
CA-943421TC	P	94 x 34 x 21" (2.3 x 0.8 x 0.5 m)	124 lbs (56.2 kg)
CA-783014TC	P	78 x 30 x 14" (1.9 x 0.76 x 0.3 m)	24 lbs (10.9 kg)
CA-943421TC	P	94 x 30 x 14" (2.3 x 0.76 x 0.3 m)	100 lbs (45.3 kg)
CA-342821		34 x 28 x 21" 0.8 x 0.7 x 0.5 m)	44 lbs (19.95 kg)
CA-863015		86 x 30 x 15" (2.1 x 0.76 x 0.38 m)	87 lbs (39.4 kg)
CA-642122		64 x 20.5 x 22" (1.6 x 0.52 x 0.55 m)	62 lbs (28 kg)
CA-943421LK	Retrofit Kit CA-943421	86 x 14 x 16" (2.1 x 0.3 x 0.4 m)	6 lbs (2.7 kg)





## Features and Benefits

- A rapidly-deploying, self-sustaining shelter system providing full living capability for small expeditionary force
- Utilities include showering, toilet systems, water containment and distribution, HVAC capacity, independent energy generation, energy-efficient lighting, and interoperability with existing 20, 1935, and 2360 Western Shelter structures
- Reduces pallet position/weight
- ISO Certified for Air, Land, or Sea Transport
- Air Lift Transportable (C-130 and larger military/civilian cargo aircraft)
- Helicopter Sling Certifiable: 4 Way Forkliftable Internal Airlift/Helicopter Slingable Container
- Deployment can be completed without the use of ladders or tools by a six-person crew in under 2 hours
- Support packages for general use, billeting, command and control, medical applications
- Provides complete 20-person camp in one ISU-90 container
- Over 755 sq. ft of usable space in 55 sq. ft package
- Fully insulated for use in any environmental condition
- Expandable - Add shelter systems to increase your footprint
- Container converts to separate areas capable of direct connection to shelters



## Components (Basic System)

- ISU-90 Container
- SW1935-BC Shelter (Berry Compliant)
- Entryway (Berry Compliant)
- Vestibule (Berry Compliant)
- 120V Inlet With 12V Converter And LED Red/White Lights
- Shelving System
- Armor Coated Floor
- Man Door Pass Through Cut Out

## Container Systems

- General Purpose
- Billeting
- Command and Control
- Medical



## SK-MHCSM

Footprint Transport	108 x 88 x 90"	(274 x 223 x 229 cm)
Usable Area	755 ft <sup>2</sup>	(70.2m <sup>2</sup> )
Total Weight	5900 lbs	(2676 kg)
Environment	-40°F to 120°F	(4.4°C to 49°C)
Snow Load	10 lbs / ft <sup>2</sup> for 12 hrs	(50 kg / m <sup>2</sup> for 12 hrs)
Wind Load	55 mph w/gusts to 65 mph	(89 km/h w/gusts to 105 km/h)
Operational Temp	-60 to 120°F	(-51 to 49°C)
Total Set-Up Time	2 hours / 6 personnel	
<b>Dimensions</b>		
GK1935 Berry Compliant shelter	570 ft <sup>2</sup>	(52.95 m <sup>2</sup> )
Berry Compliant vestibule connector	65 ft <sup>2</sup>	(6 m <sup>2</sup> )
Berry Compliant vestibule entryway	65 ft <sup>2</sup>	(6 m <sup>2</sup> )
ISU-90 Container w/double doors both sides	55 ft <sup>2</sup>	(5.1 m <sup>2</sup> )

### Container Electrical System

230 V L6-30 receptacle for water heater (Billeting and Medical only)

120 V NEMA 15-5 receptacles for LED lighting and exhaust fan

12 V converter

### Shelter Electrical System

15 KW diesel generator ultra quiet

50 Amp electrical distribution panel

Wiring harness w/12 duplex receptacles

3.5 ton HVAC w/integrated thermostat and ducting

### Container Plumbing System\*

Fittings: 3/4 " garden hose thread fittings

Tank less hot water heater rated at 4 GPM

Integrated 12 V pumping systems

\* Billeting and Medical Systems

## SK-MHCSM Packages (Container Only)

### SK-MCHSM Basic

- ISU90
- SW-1935BC Shelter (Berry Compliant)
- Entryway (Berry Compliant)
- Vestibule Connector (Berry Compliant)
- 120 V inlet w/12 volt converter and LED Red/White Lights
- Shelving System
- Armor Coated Floor
- Man Door Cut Out

### SK-MHCSM-B Billeting

- Basic Configuration (SK-MCHSM)
- 10 Bunk Beds (Berry Compliant)
- Shower System with Water Handling Kit (Berry Compliant)
- Toilet System with Brief Relief Product (Berry Compliant)
- 15K Generator
- HVAC

### SK-MHCSM-C Command

- Basic Configuration (SK-MCHSM)
- AV-S025SD72 Dual Display
- 5 Tables
- 8 Chairs
- 15K Generator
- HVAC

### SK-MHCSM-M Medical

- Basic Configuration (SK-MCHSM)
- 5 Medical Organizer Bags
- 10 Medical Cots
- Shower System w/Water Handling Kit (Berry Compliant)
- Toilet System with Brief Relief Product (Berry Compliant)
- 15K Generator
- HVAC

### SK-MHCSM-G General Purpose

- Basic Configuration (SK-MCHSM)
- 15K Generator
- HVAC

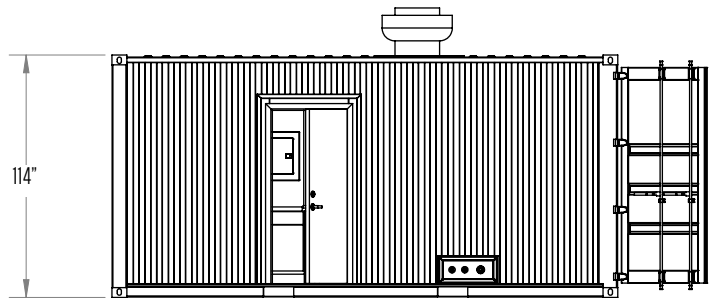
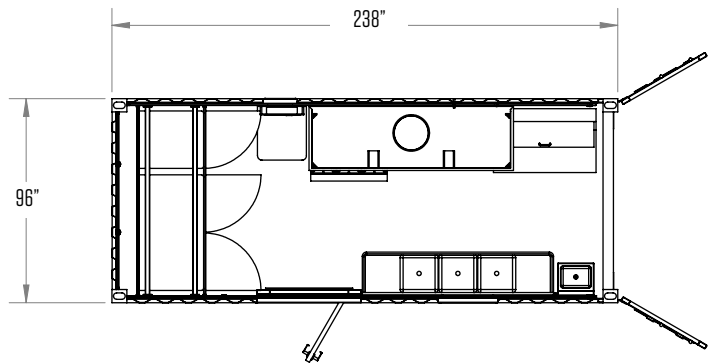




## Features and Benefits

- Requires minimal effort on site to become operational, and can just as easily be redeployed to another location
- All wall paneling and flooring materials in this unit can be washed down and sanitized
- Lighting fixtures, appliances, and even the kitchen sink were carefully sourced to minimize maintenance and power draw requirements
- Illumination is provided by rugged 4000 lumen, 50 watt LED panels
- Oven, stovetop and griddle all run on propane or natural gas to maximize efficiency
- By utilizing a three basin sink our Containerized Kitchen meets food safety requirements without the need for a high energy draw dishwasher
- Functional sea doors for loading large goods
- 41.1 cu ft refrigerator and 19 cu ft freezer
- 96" hood with exhaust fan over stovetop and griddle
- 18" storage cabinet with optional added storage and shelves
- Four additional 120-volt outlets

Product shown in 20' configuration, trailers, self-propelled, and additional container sizes available



## Specifications

<b>Exterior Dimensions</b>	96 x 238 x 114"	(2.4 x 6 x 2.9 m)
<b>Interior Dimensions</b>	88.5 x 230 x 102"	(2.2 x 5.8 x 2.6 m)
<b>Square Footage</b>	158.6 ft <sup>2</sup>	(14.74 m <sup>2</sup> )
<b>Cube</b>	1507.3 ft <sup>3</sup>	(42.68 m <sup>3</sup> )
<b>Appliance Dimensions</b>		
3 Basin Sink	90 x 20 x 44.5"	(2.2 x 0.5 x 1.1 m)
Gas Range	36 x 34 x 58"	(0.9 x 0.8 x 1.4 m)
Prep Station	48 x 30 x 37"	(1.2 x 0.7 x 0.9 m)
Countertop Griddle	48 x 29 x 34.5"	(1.2 x 0.7 x 0.8 m)
Freezer	27 x 30.5 x 83"	(0.6 x 0.7 x 2.1 m)
Refrigerator	54.5 x 30.5 x 83"	(1.3 x 0.7 x 2.1 m)
Hand Wash Sink	17 x 15 x 13"	(0.4 x 0.3 x 0.3 m)
Storage Cabinets	23 x 25 x 36"	(0.5 x 0.6 x 0.9 m)



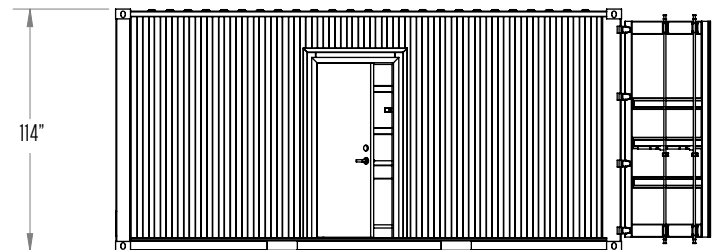
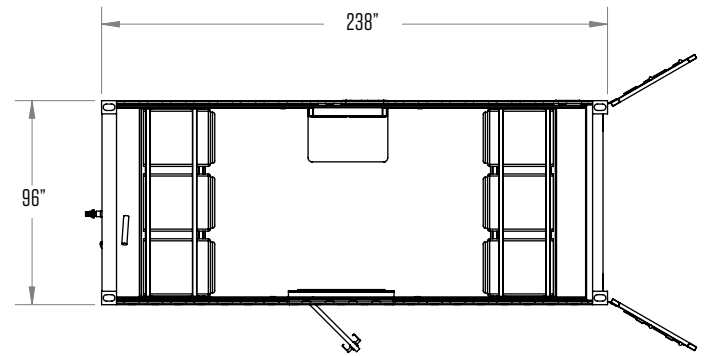
**Features and Benefits**

- Requires minimal effort on site to become operational, and can just as easily be redeployed to another location
- Six washers and six dryers are mounted on heavy duty steel racks on opposite ends of the container for even weight distribution during transport
- Locating dryers on the sea door side allows for full access to the back for ease of maintenance
- Fiber-reinforced plastic panels are moisture, scratch and dent resistant, easy to clean
- Illumination is provided by rugged 4000 lumen, energy efficient 50 watt LED panels
- Slip resistant, easy to clean flooring
- Four additional 120-volt outlets

**Specifications**

Exterior Dimensions	96" x 238" x 114"	(2.4 x 6 x 2.9 m)
Interior Dimensions	88.5 x 230 x 96"	(2.2 x 5.8 x 2.4 m)
Square Footage	158.6 ft <sup>2</sup>	(14.74 m <sup>2</sup> )
Cube	1507.3 ft <sup>3</sup>	(42.68 m <sup>3</sup> )
Washer	7.5 ft <sup>3</sup>	(0.21 m <sup>3</sup> )
Dryer	7.5 ft <sup>3</sup>	(0.21 m <sup>3</sup> )
Cabinet Dimensions	36 x 25 x 36"	(0.9 x 0.6 x 0.9 m)

Product shown in 20' configuration, trailers, self-propelled, and additional container sizes available





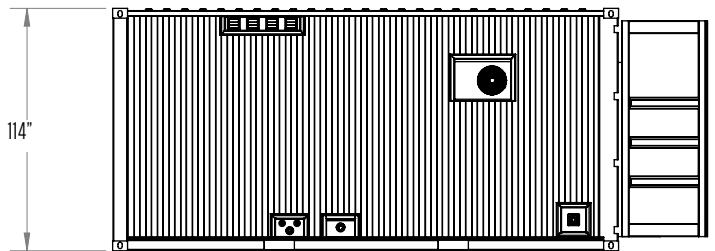
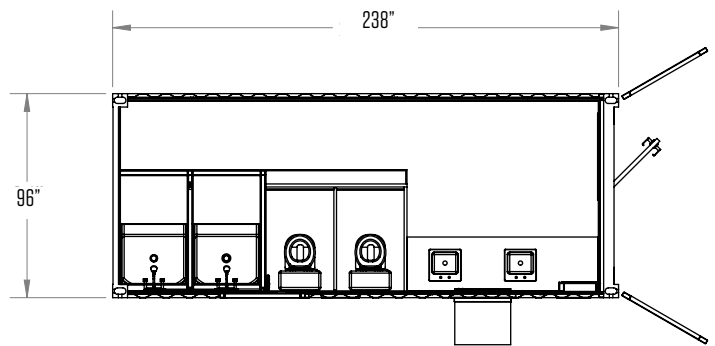
## Features and Benefits

- Once placed on site container only requires connections to power, hot, cold, gray and black water to become operational
- Users will enjoy completely private shower stalls, with dedicated changing areas and individually controlled lighting/exhaust units
- Insulated walls and an integrated HVAC help to maintain a comfortable temperature outside of the shower stalls regardless of outside conditions
- Fiber-reinforced plastic panels are moisture, scratch and dent resistant, easy to clean
- Slip resistant, easy to clean flooring
- Illumination is provided by rugged 4000 lumen, 50 watt LED panels
- Toilets are 1.6 gph low flow models
- 23,500 BTU air conditioner
- Six additional 120-volt outlets and 100 Amp 3-phase electrical panel

## Specifications

Exterior Dimensions	96" x 238" x 114"	(2.4 x 6 x 2.9 m)
Interior Dimensions	88.5 x 230 x 102"	(2.2 x 5.8 x 2.4 m)
Square Footage	158.6 ft <sup>2</sup>	(14.74 m <sup>2</sup> )
Cube	1507.3 ft <sup>3</sup>	(42.68 m <sup>3</sup> )
Shower Dimensions	32 x 32 x 84"	(0.8 x 0.8 x 2.1 m)
Toilet Stall Dimensions	32 x 49 x 84"	(0.8 x 1.2 x 2.1 m)
Storage Cabinet Dimensions	30 x 18 x 54"	(0.7 x 0.4 x 1.3 m)

Product shown in 20' configuration, trailers, self-propelled, and additional container sizes available





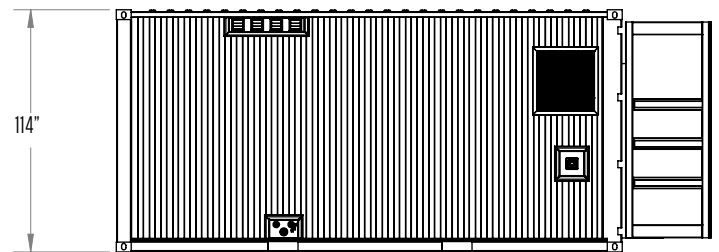
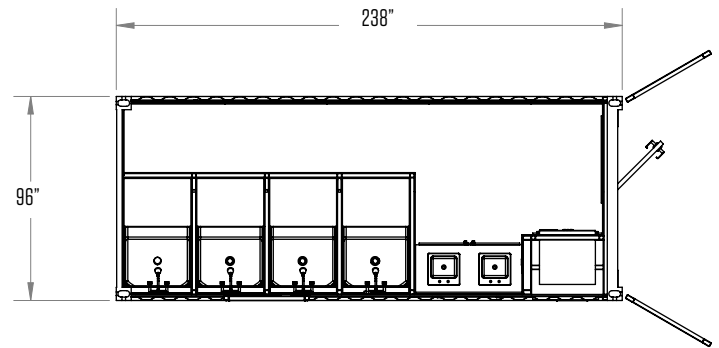
## Features and Benefits

- Once placed on site container only requires connections to power, hot, cold, gray and black water to become operational
- Users will enjoy 4 completely private shower stalls, with dedicated changing areas and individually controlled lighting/exhaust units
- Insulated walls and an integrated HVAC help to maintain a comfortable temperature outside of the shower stalls regardless of outside conditions
- Fiber-reinforced plastic panels are moisture, scratch and dent resistant, easy to clean
- Slip resistant, easy to clean flooring
- Illumination is provided by rugged 4000 lumen, 50 watt LED panels
- 23,500 BTU air conditioner
- Six additional 120-volt outlets and 100 Amp 3-phase electrical panel

## Specifications

Exterior Dimensions	96" x 238" x 114"	(2.4 x 6 x 2.9 m)
Interior Dimensions	88.5 x 230 x 102"	(2.2 x 5.8 x 2.4 m)
Square Footage	158.6 ft <sup>2</sup>	(14.74 m <sup>2</sup> )
Cube	1507.3 ft <sup>3</sup>	(42.68 m <sup>3</sup> )
Shower Dimensions	32 x 32 x 84"	(0.8 x 0.8 x 2.1 m)
Storage Cabinet Dimensions	30 x 18 x 54"	(0.7 x 0.4 x 1.3 m)

Product shown in 20' configuration, trailers, self-propelled, and additional container sizes available





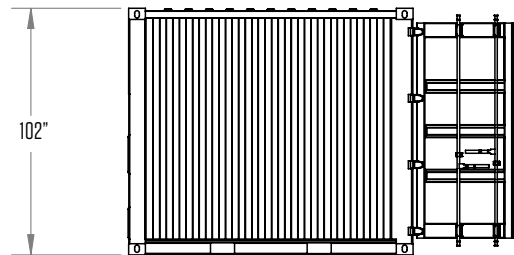
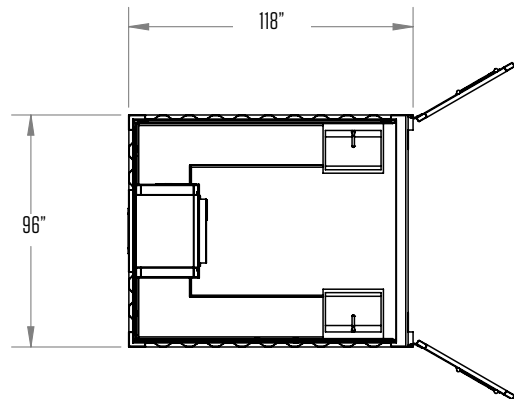
## Features and Benefits

- Unit recreates a hospital scrub room by offering two hands free scrub sinks, easily cleaned materials, and built in climate control
- Designed to be seamlessly connected with our soft-sided shelters, and other containerized medical systems
- Two hands free surgical scrub sinks
- 15,000 BTU air conditioner
- Hook and Loop connection for soft boot to shelter
- Lockable consumables cabinet
- Four additional 120-volt outlets and 100 Amp 3-Phase Electrical Panel
- Fiber-reinforced plastic panels are moisture, scratch and dent resistant, easy to clean
- Slip resistant, easy to clean flooring
- Illumination is provided by rugged 4000 lumen, 50 watt LED panels

Product shown in bicon configuration, trailers, self-propelled, and additional container sizes available

## Specifications

Exterior Dimensions	96" x 118" x 102"	(2.4 x 2.9 x 2.6 m)
Interior Dimensions	88.5 x 107 x 90"	(2.2 x 2.7 x 2.2 m)
Square Footage	78.6 ft <sup>2</sup>	(7.31 m <sup>2</sup> )
Cube	668.6 ft <sup>3</sup>	(18.9 m <sup>3</sup> )
Surgical Sink Dimensions	25 x 21 x 23"	(0.6 x 0.5 x 0.58 m)



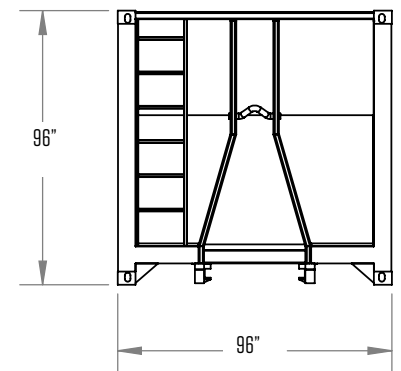
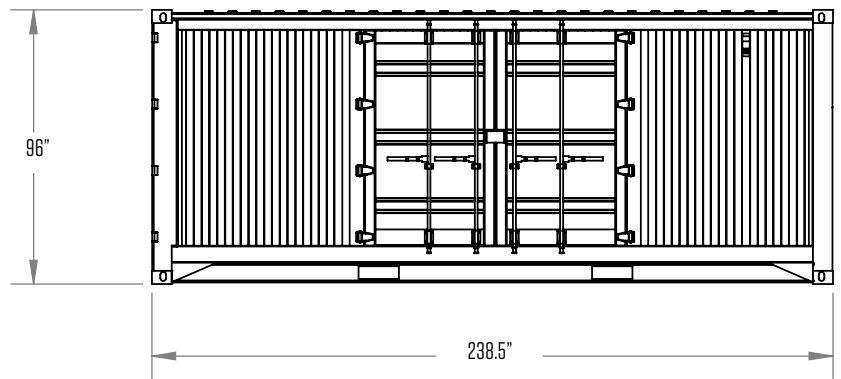


## Features and Benefits

- 20 ft container with integrated PLS interface for use with hook trucks
- Transportable as a standard 20 ft ISO container, including CSC certified for sea transport, designed for road/rail transport and air transportable on a C-17
- Insulated to withstand a wide range of temperatures
- Available with manual or automatic leveling equipment
- Options include custom door sizes and locations, HVAC and power

## Specifications

External Dimensions	19' 10.5" x 7' 11" x 8' 6"	(6058 x 2438 x 2591 mm)
Internal Dimensions	18' 2.5" x 7' 2.5" x 6' 1"	(5550 x 2220 x 2100 mm)
Tare Weight	6614 lbs	(3000 kg)
Maximum Payload	26455 lbs	(12,000 kg)
Maximum Gross Weight	33069 lbs	(15,000 kg)





**Features and Benefits**

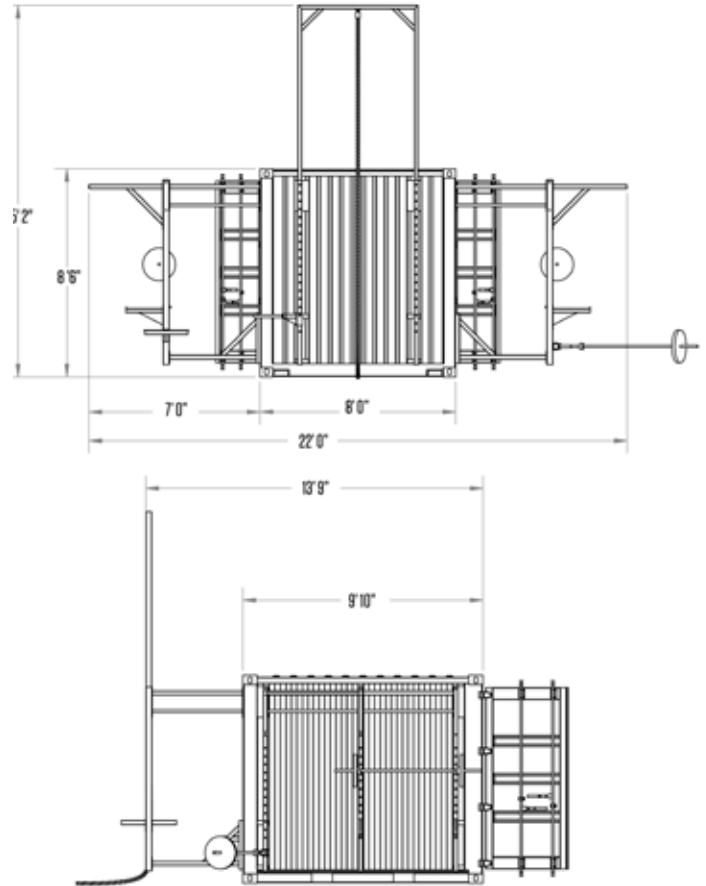
- Designed to stand up to the rigors of repeated reps and deployments
- Turnkey fitness solution that can be placed practically anywhere
- Patent pending design utilizes container's core stability to support the attached racks without requiring legs to touch the ground, allowing container to be placed on an uneven substrate
- Container units can be outfitted to the exact specifications of your mission
- Fitness equipment can be stored locked within the container on the included racks
- Combine multiple single units to create a larger fitness system

**CN-10STRSTS Specifications**

Container Dimensions	118 x 96 x 102"	(2.9 x 2.4 x 2.5m)
----------------------	-----------------	--------------------

**Standard Components**

- Pullup Station
- Climbing Wing
- Climbing Tower
- Dip Bar
- Jump Platform
- Grappler Attachment
- Wall Ball Target
- Safety Squat Arm Set
- J-Cup Set
- Squat Station
- Battling Rope
- Medicine Ball Set
- Kettle Ball Set
- Olympic Lifting Bar
- Olympic Bumper Plate Set
- Collar Sets
- Rubber Mats
- Mobility Bands
- Utility Bench
- Gymnastic Ring Set
- Sand Bags
- Foam Roller
- Lacrosse Ball
- Jump Rope
- White Board







## Features and Benefits

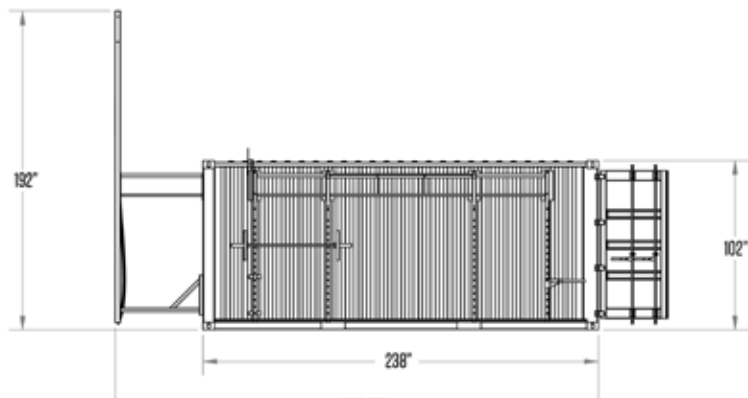
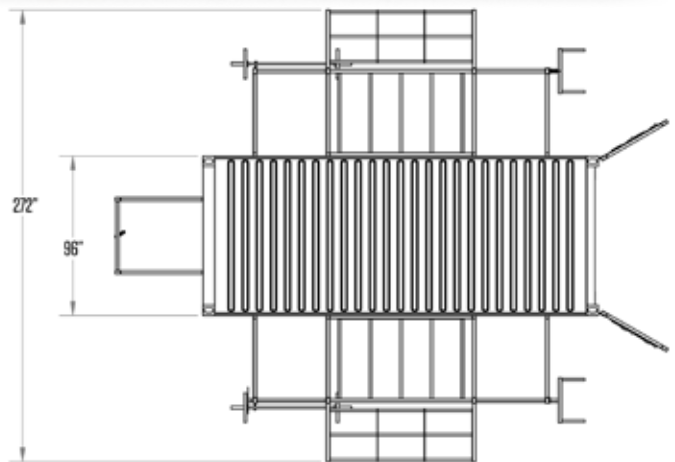
- Designed to stand up to the rigors of repeated reps and deployments
- Turnkey fitness solution that can be placed practically anywhere
- Patent pending design utilizes container's core stability to support the attached racks without requiring legs to touch the ground, allowing container to be placed on an uneven substrate
- Container units and can be outfitted to the exact specifications of your mission
- Four easily adjustable squat racks
- Engineered for all environments
- Quickly assembles with simple tools
- Can be moved around when fully assembled
- Supports ACFT training
- Fitness equipment can be stored locked within the container on the included racks
- Combine multiple single units to create a larger fitness system
- Optional anchoring system included
- Optional graphics / wraps available

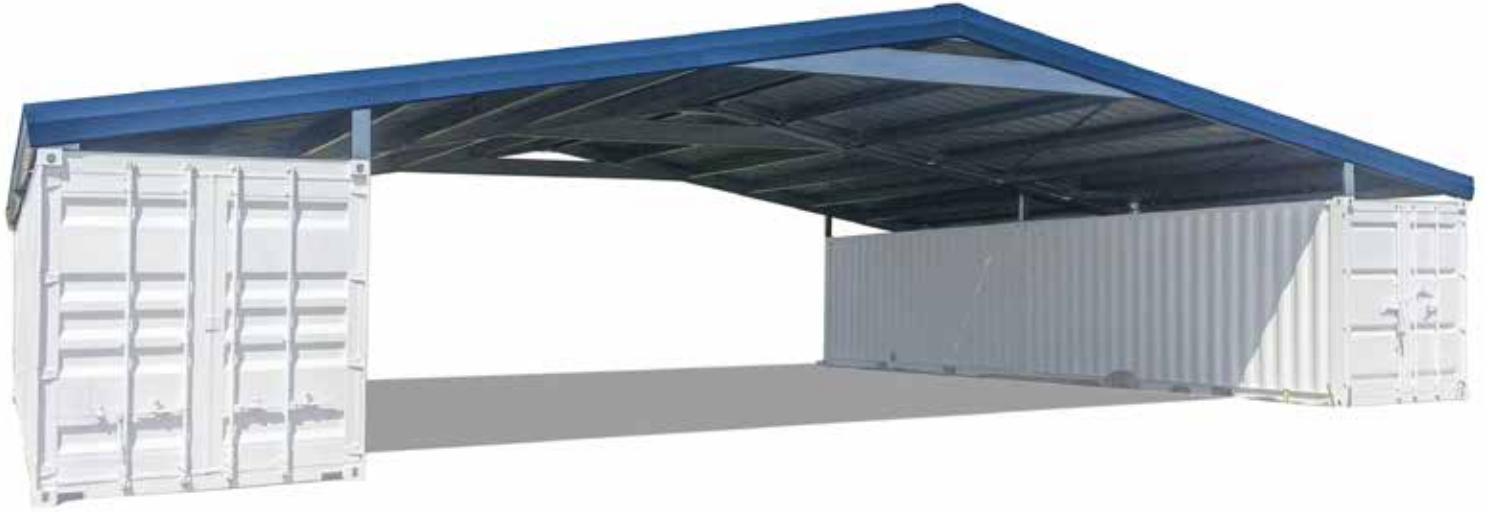
## CN-20STRSTS Specifications

Container Dimensions	240 x 96 x 102"	(6 x 2.4 x 2.5m)
----------------------	-----------------	------------------

## Standard Components

- |                       |                        |                            |                 |
|-----------------------|------------------------|----------------------------|-----------------|
| • Pullup Station      | • Safety Squat Arm Set | • Olympic Bumper Plate Set | • Foam Roller   |
| • Climbing Wing       | • J-Cup Set            | • Collar Sets              | • Lacrosse Ball |
| • Climbing Tower      | • Squat Station        | • Rubber Mats              | • Jump Rope     |
| • Dip Bar             | • Battling Rope        | • Mobility Bands           | • White Board   |
| • Jump Platform       | • Medicine Ball Set    | • Utility Bench            |                 |
| • Grappler Attachment | • Kettle Ball Set      | • Gymnastic Ring Set       |                 |
| • Wall Ball Target    | • Olympic Lifting Bar  | • Sand Bags                |                 |



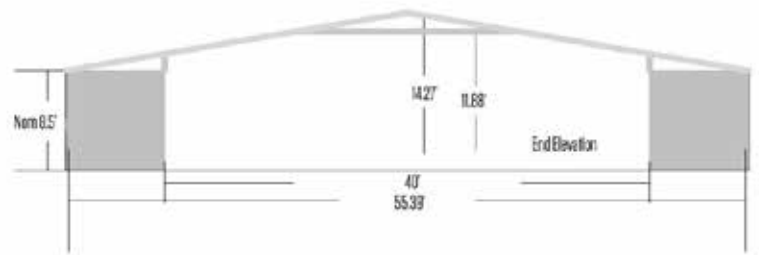
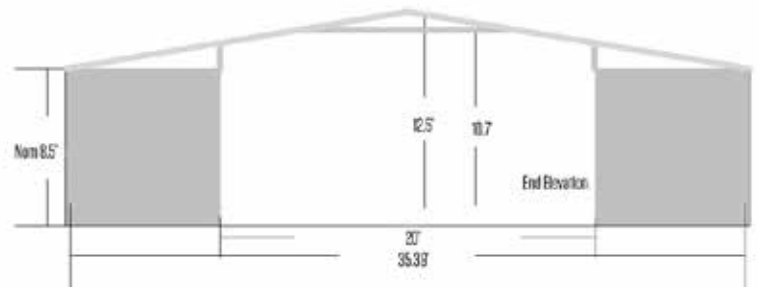


## Features and Benefits

- Made in America with American steel
- Backed by a 20 year guarantee
- Designed for quick and easy construction
- All kits are 20 feet length and attach to two shipping containers
- Length is infinitely scalable by adding additional containers and kits
- Can be disassembled, transported and re-assembled
- Roof attaches to container pin points for a secure connection
- Require no footings or approval in most cases
- Higher wind and snow ratings can be requested for specific projects
- Standard acrylic galvalume finish or choice of 14 paint colors for roof, trim and gutters

## Specifications

Part #	Dimensions LxW	Pitch	Slope	Wind Rating	Snow Load	Weight
CN-GB2036	20 x 36' (6.1 x 11 m)	2-3/12	12.7°	70 mph	25 lbs per sq ft	2,646 lbs (1200.2 kg)
CN-GB2056	20 x 56' (6.1 x 17 m)	2-3/12	12.7°	115 mph	33 lbs per sq ft	3,595 lbs (1630.6 kg)



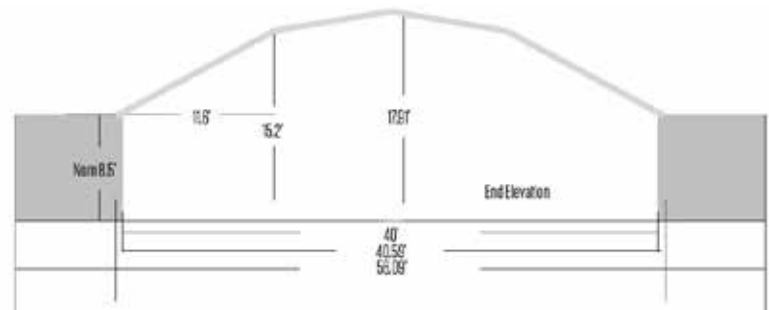
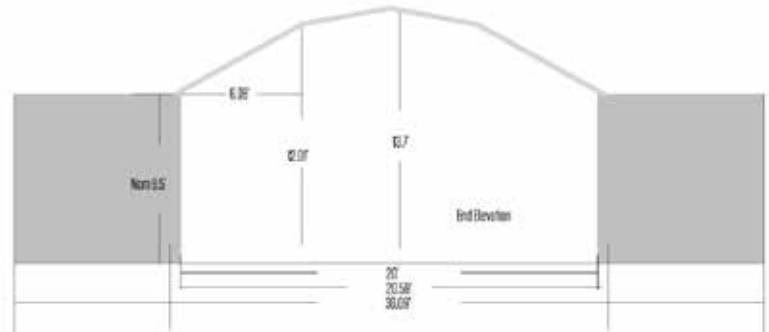


## Features and Benefits

- Made in America with American steel
- Backed by a 20 year guarantee
- Designed for quick and easy construction
- All kits are 20 feet length and attach to two shipping containers
- Length is infinitely scalable by adding additional containers and kits
- Can be disassembled, transported and re-assembled
- Roof attaches to container pin points for a secure connection
- Require no footings or approval in most cases
- Higher wind and snow ratings can be requested for specific projects
- Standard acrylic galvalume finish or choice of 14 paint colors for roof, trim and gutters

## Specifications

Part #	Dimensions LxW	Pitch	Slope	Wind Rating	Snow Load	Weight
CN-GM2036	20 x 36' (6.1 x 11 m)	2-3/12	12.7°	70 mph	25 lbs per sq ft	2,198 lbs (996.9 m)
CN-GM2056	20 x 56' (6.1 x 17 m)	2-3/12	12.7°	70 mph	25 lbs per sq ft	3,440 lbs (1560.3 m)





A Role I Field Hospital is the first form of structured medical support found in the field aside where both primary health care and emergency treatment are administered. Level 1 facilities also typically perform sanitary and preventative dental hygiene treatments. While Role I hospitals should have the ability to ward approximately 5 patients a day, anything more than basic injuries will typically be evacuated to a Role II hospital.

## Requirements

### Staffing

2 doctors

6-8 nurses/paramedics

0-2 support personnel (including ambulance driver)

### Infrastructure

Typically tent-based. Containers or buildings can be used if available.

General support (electricity/ water) not required

### Capabilities

Treating minor/common illnesses

Basic wound care

Advanced trauma and cardiac life support

Basic surgery





A Role II Field Hospital provides more advanced medical support in the field. This includes intensive care, larger wards, and advanced life support. Role II hospitals are supported by basic dental facilities, as well as radiology facilities and laboratory units.

**Requirements**

Staffing	Infrastructure	Capabilities
5-6 doctors, including surgeons, internist, anesthesiologist	Tents, containers, or typically both	Treatment of medical conditions and infectious disease
1 dentist, 1 hygiene specialist	Outpatient clinic	Life saving surgery performed under general anesthesia
nurses/paramedics	Triage	ICU capability (limited)
4-6 paramedical staff	Operating room including pre-op and post-op areas	Basic dental services
6-10 support personnel (including ambulance drivers)	Dental clinic	Field laboratory and radiology services
	Laboratory and radiology units	Pharmacy
	Hospital support and administration	Hygiene control and preventative medicine

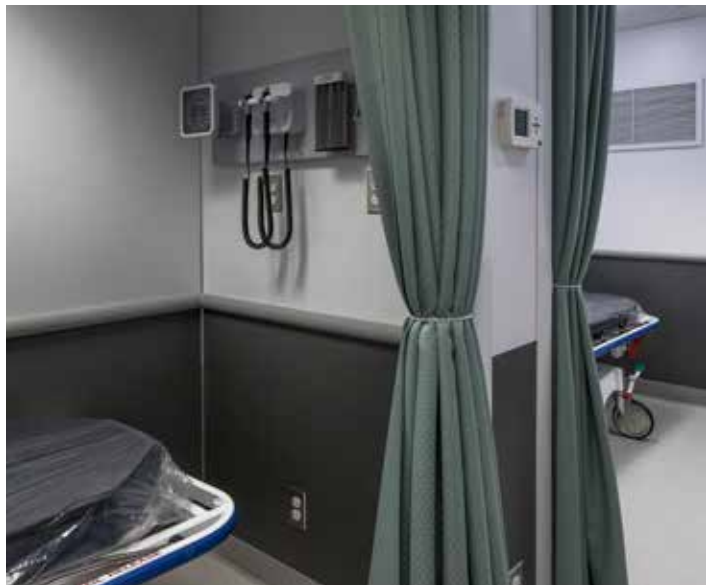




A Role III Field Hospital is equivalent to a multidisciplinary general hospital. This facility can provide comprehensive medical care for a population of up to 5,000, with the ability to conduct up to 10 surgical procedures a day.

## Requirements

Staffing	Infrastructure	Capabilities
15-20 doctors, including surgeons, internists, anesthetists	Field hospital deployed typically in a combination of containers and tents	Multidisciplinary inpatient services
2 dentists	3-4 consultation rooms	Emergency and elective surgical procedures
1 hygiene officer	Triage and resuscitation facility	ICU
40-50 nurses/paramedics	2 wards, with ICU and isolation	Laboratory and investigative radiology
8-10 paramedical staff	Surgical suite with multiple operating tables	Full pharmaceutical support
14-20 support staff, including ambulance drivers and technicians	Dental clinic with surgical dental capabilities	Specialist dental care, including dental surgery
	Laboratory and radiology facilities	
	Pharmacy and medical store	
	Administration and hospital support facilities	
	General support facilities (running water, independent electricity, transportation, maintenance, etc)	





## Features and Benefits

- Family shelter suitable for up to five people
- Provides 16 m<sup>2</sup> of interior floor space, with two additional 3.5 m<sup>2</sup> vestibules for a total area of 23 m<sup>2</sup>
- Complies with recommended minimum living area in hot climates, and exceeds the requirement in cold climates
- Waterproof, rot proof, UV-stabilized and fire retardant

## Materials

Outer Tent	Roof: 380 gsm polycotton, natural white (±10%) Wall: 250 gsm polycotton, natural white (±10%)
Inner Tent	160 gsm polycotton, dyed sand or cream
All PE parts	Base fabric: Woven high density polyethylene (HDPE) black fibers Coating: White low density polyethylene (LDPE) on both sides Tear strength: Minimum 100N Tensile strength: Minimum 500N, 15%-25% elongation in warp and weft
Ground Sheet	180 gsm polyethylene (HDPE), black, sewn in berm (±5%)

## Tent Parts

Inner Partition	Two half partitions running from center pole to side wall
Chimney	Chimney reinforcement with non-perforated opening placed 0.5 m from one corner
Windows	Outer tent has two long windows (360 x 30 cm) with mosquito netting and rain flap running on both sides
Ventilators	Outer tent has two ventilation openings (35 x 40cm) in front and back with reinforcement netting and rain flap

## Dimensions (Outer Tent)

Total Usable Space	23 m <sup>2</sup>	(247.5 ft <sup>2</sup> )
Main Floor	16 m <sup>2</sup>	(172 ft <sup>2</sup> )
Two Vestibule Areas	3.5 m <sup>2</sup> x 2 = 7 m <sup>2</sup>	(37.6 ft <sup>2</sup> x 2 = 75.3 ft <sup>2</sup> )
Peak	2.2 m	(7'2")
Width	4 m	(13')
Ridge Length	4 m	(13')
Sidewall Height	1.25 m	(4'1")
Center Base Length	6.6 m	(21'7")

## Tent Doors (Dimensions)

Total Size	1.3 x 1.4 m	(4'3" x 4'7")
Door Flaps	1.4 x 1.6 m	(4'7" x 5'2")
Upper Part	1.4 x 0.9 m (PC)	(4'7" x 2'11")
Lower Part	1.4 x 0.7 m (PE)	(4'7" x 2'4")
<b>Poles</b>		
2 Upright Poles	2.2 m	(7'2")
1 Center Upright Pole	2.17 m	(7'1")
Pole Diameter	25 x 1.2 mm	(0.9 x 0.04")
6 Side Poles	1.25 m	(4'1")
4 Door poles	1.4 m	(4'7")
Pole Diameter	19 x 1.25 mm	(0.7 x 0.05")



## Features and Benefits

- Multi-purpose tent for medical, educational, office, and housing purposes
- Engineered with lightweight steel frame and high performance laminated polyethylene cover
- Configurable for hot and cold climate extremes
- Easily disinfected material makes the Retreat ideal for medical applications
- All materials can be reused, recycled, or safely disposed of
- Available in three sizes ranging from 24 to 72 square meters

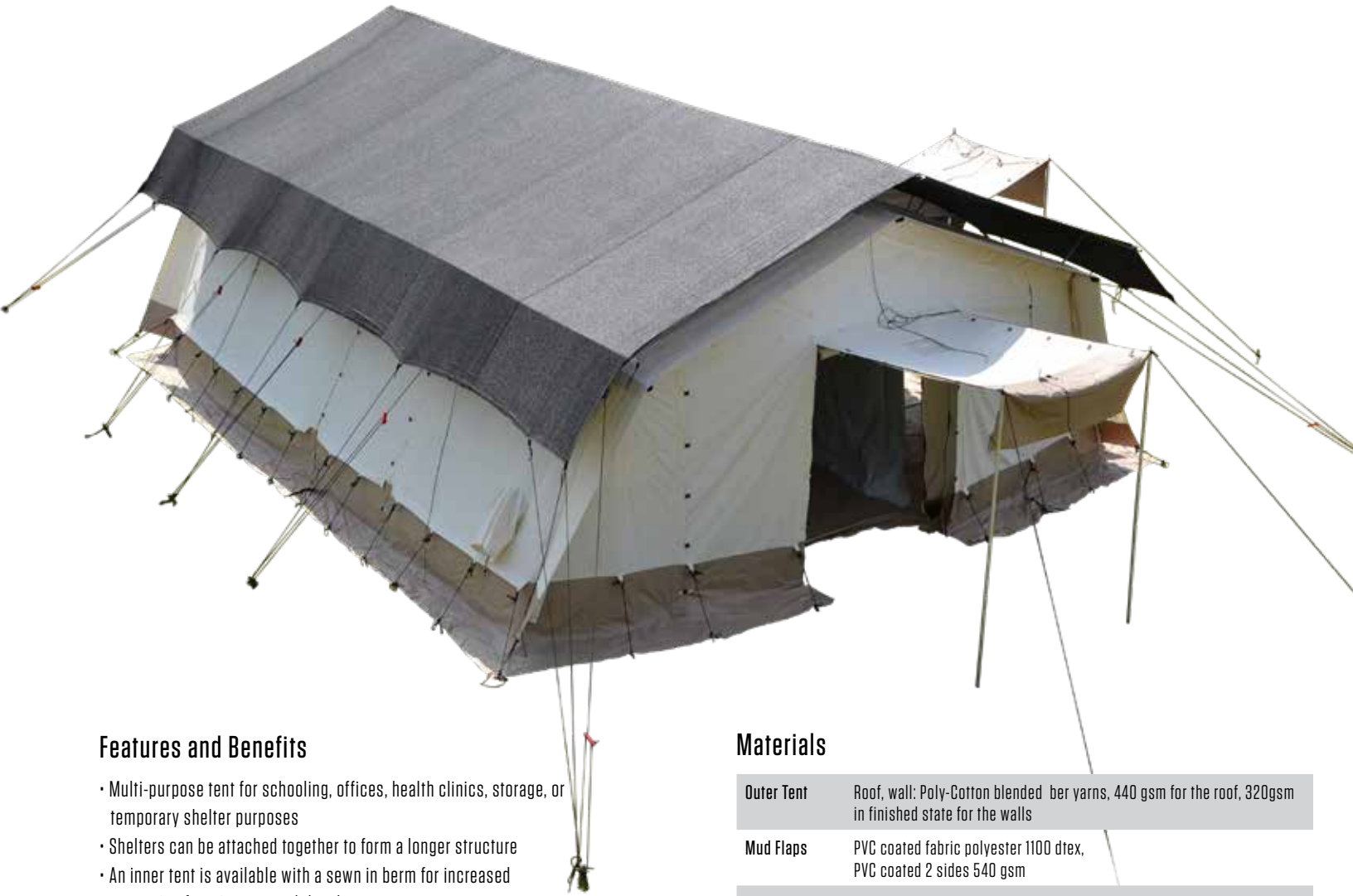
## Materials

<b>Frame</b>	Galvanized high tensile steel pipe, 38 mm Ø, 1.2 mm thickness, press formed steel joints
<b>Outer cover</b>	250 g/m <sup>2</sup> laminated PE - UV resistant, rot-proof, fire resistant CPAI 84-6 - white color
<b>Floor</b>	180 g/m <sup>2</sup> laminated PE - UV resistant, rot-proof, fire resistant CPAI 84-6 - gray color
<b>Pegs</b>	T-pegs, galvanized steel, 50 cm length

## Dimensions

Part Number	SN-2014	SN-2024	SN-2040
<b>Usable Space</b>	24 m <sup>2</sup> (258 ft <sup>2</sup> )	42 m <sup>2</sup> (452 ft <sup>2</sup> )	72 m <sup>2</sup> (775 ft <sup>2</sup> )
<b>Total Weight</b>	130 kg (286.6 lbs)	195 kg (430 lbs)	295 kg (650 lbs)
<b>Dimensions</b>			
<b>Footprint</b>	4 x 6 m (13 x 19'8")	7 x 6 m (23 x 19'8")	12 x 6 m (39 x 19'8")
<b>Sidewall</b>	2.05 m (6'8")	2.05 m (6'8")	2.05 m (6'8")
<b>Peak</b>	2.98 m (9'9")	2.98 m (9'9")	2.98 m (9'9")
<b>Packaged Dimensions</b>	225 x 55 x 60 cm (7'4" x 1'9" x 1'11")	225 x 55 x 80 cm (7.3 x 1'9" x 2'7")	225 x 55 x 115 cm (7.3 x 1'9" x 3'9")





## Features and Benefits

- Multi-purpose tent for schooling, offices, health clinics, storage, or temporary shelter purposes
- Shelters can be attached together to form a longer structure
- An inner tent is available with a sewn in berm for increased protection from insects and the elements
- Materials are waterproof, rot proof, and fire retardant

## Specifications

Part Number	SN-1826	SN-2025
Usable Space	33 m <sup>2</sup> (355 ft <sup>2</sup> )	44 m <sup>2</sup> (473.6 ft <sup>2</sup> )
<b>Dimensions (Inner Tent)</b>		
Footprint	5.7 x 5.33 m (18'8" x 17'5")	7.2 x 5.7 m (18'8" x 23'8")
Sidewall	1.95 m (6'5")	1.95 m (6'5")
Ridge	2.8 m (9'2")	2.8 m (9'2")
<b>Dimensions (Outer Tent)</b>		
Footprint	6 x 5.62 m (19'8" x 18'5")	7.5 x 6 m (24'7" x 19'8")
Sidewall	2.1 m (6'10")	2.1 m (6'10")
Ridge	3 m (9'10")	3 m (9'10")
Aluminum Frame	40 x 2 mm pipes	40 x 2 mm pipes
Number of Persons	15 - 30	20 - 40

## Materials

<b>Outer Tent</b>	Roof, wall: Poly-Cotton blended ber yarns, 440 gsm for the roof, 320gsm in finished state for the walls
<b>Mud Flaps</b>	PVC coated fabric polyester 1100 dtex, PVC coated 2 sides 540 gsm
<b>Tent Parts</b>	
<b>Doors</b>	One door on each end with fast opening/closing system and one on each side. Full width opening possible on both ends
<b>Ventilation</b>	Two high ventilation windows with sun-visors/ shutters, grill and mosquito netting on each side. One high ventilation window with shutter, canopy/sun-visor and mosquito netting on each gable
<b>Frame</b>	The tent has an aluminum frame with 40 mm x 2 mm pipes (same length) and steel connectors (same angle)
<b>Accessories</b>	One tent with all accessories packed in a bale. Other required accessories including assembling instruction, content list and repair kit included.
<b>Others</b>	Velcro strips on both sides for logo attachment and two electric cable passages



## Features and Benefits

- Up-fitted Trane® combination heat pump for reliable performance
- Wrap-around coil guard increases moisture removal of A/C units, dryer supply ducts, humidity control, and energy savings through passive reheat
- Over/under ducting design for efficient direct connection with removable filter
- Cost effective - no fan belts to replace
- Internally insulated cabinet for quiet operation
- Full tube frame with lifting bars for easy transport
- Baked-on powder coated finish for long lasting coverage
- Remote thermostat with 50' cord to allow for proper installation with in the shelter
- Easy to remove, built in filter housing to allow for easy filter replacement
- Available as a stacking unit, allowing multiple XE-1200 devices to be easily stacked upon transport

## Components

- HVAC Unit
- 11.52 kW Heat Strip
- 16 x 25 x 1" Filter
- Electronic Thermostat
- Thermostat Cable
- Connector Cord
- Caster Tech Lock Brake Kit
- Vinyl Cover
- Connection Boots
- 50' Power Cord
- Condensation Runoff Drain System
- Hvac Stackable Cart (Optional)

## Optional

- Stacking HVAC Cart
- Hard Start Kit

## CL-ACXE1200 Specifications

Dimensions	56 x 35 x 41.5"	(1.4 x 0.9 x 1 m)
Weight	526 lb	(238.5 kg)
Cube	48.5 ft	(14.8 m)
Rated	208/240 Volts, 30-Amp	Single-Phase, 60 Hertz
CFM	1,400	
Cooling	42,000 Btu/hr	
Heating	40,000 Btu/hr	
Ducting		
XE12UD Supply Boot	12"	(30.5 cm)
XE12UD Return Boot	14"	(35.5 cm)
XE12LD Replaceable Filter	16" x 25" x 1"	(40.6 x 63.5 x 2.5 cm)
Standard Supplemental Heating		
27/36k Btu/hr	(For use when ambient temperature is below 40° F (4.5° C) and requires 50 amp circuit for operation)	

Remote Thermostat with 50' (15.3 m) cord controls both standard HVAC and aux. heat.



## Features and Benefits

- All-in-one services for air conditioning, dehumidifying and heating
- Completely self-contained and portable
- Up-fitted Trane® combination heat pump for reliable performance
- Wrap-around coil guard increases moisture removal of A/C units, dryer supply ducts, humidity control, and energy savings through passive reheat
- Over/under ducting design for efficient direct connection with removable filter
- Cost effective - no fan belts to replace
- Internally insulated cabinet for quiet operation
- On board thermostat for temperature control
- Baked-on powder coated finish for long lasting coverage
- Easy to remove, built in filter housing to allow for easy filter replacement

## Components

- HVAC Unit
- Powder Coated Skid
- 11.52 kW Heat Strip
- 16 x 25 x 1" Filter
- On Board Thermostat
- 8' Power Cord With L6-30P End
- Condensation Runoff Drain System

## CL-ACXE1200LC Specifications

Dimensions	55 x 35 x 36"	(1.4 x 0.88 x 0.91 m)
Weight	425 lbs	(192.7 kg)
Cube	40.1 ft <sup>3</sup>	(1.13 m <sup>3</sup> )
Rated	208/240 Volts, 30-Amp	Single-Phase, 60 Hertz
CFM	1,400	
Cooling	42,000 Btu/hr	
Heating	40,000 Btu/hr	
XE12UD Supply Boot	12"	(30.5 cm)
XE12UD Return Boot	14"	(35.5 cm)
XE12LD Replaceable Filter	16" x 25" x 1"	(40.6 x 63.5 x 2.5 cm)

### Standard Supplemental Heating

27/36k Btu/hr

(For use when ambient temperature is below 40° F (4.5° C) and requires 50 amp circuit for operation)



## Features and Benefits

- All-in-one services for air conditioning, dehumidifying and heating
- Completely self-contained and portable
- Hot Gas Bypass
- Phase Protection
- Remote Controls
- EMI Suppression
- Stackable
- External Service Ports
- Staggered Start - Compressor Only
- Elapsed time Indicator
- Service Outlet
- Duct Covers
- Fork Pockets and Lifting Eyes
- Optional Casters
- Available as a stacking unit, allowing multiple devices to be easily stacked upon transport

## Components

- HVAC Unit
- 11.52 kW Heat Strip
- 16 x 25 x 1" Filter
- Electronic Thermostat
- Thermostat Cable
- Connector Cord

## CL-ACT65T Specifications

Dimensions	52 x 42 x 30"	(1.3 x 1 x 0.7 m)
Weight	500 lb	(226.8 kg)
Cooling Capacity	60,000 BTU/HR	
CFM	2,000 CFM Min. @1" ESP	
Heating Capacity	10 kW	
Max Operating Ambient	+140 °F	(+60 °C)
Rating Ambient	+125 °F	(+51 °C)
Min Operating Ambient	-40 °F	(-40 °C)
Refrigeration Stages	1	
Compressor Type	Scroll	
Refrigerant Type	R-407C	
Evaporator Coil	Copper Tube / Aluminum Fin	
Condenser Coil	Microchannel Aluminum	
Duct Connections	Supply 16" Diameter	Return 16" Diameter
Voltage / Phase/ HZ	380 / 3 / 50, 5 Wire	
Max Power Draw	12 kW	
Heating stages	2 Stages	
Frame and Panel Material	5052 Aluminum	



## Features and Benefits

- Powerful fan system allows the heater to deliver uncontaminated heat to your shelter or duct system
- Runs on a variety of fuels including: kerosene, diesel, JP8 and Jet A/B
- Lightweight, portable design
- Low maintenance
- Thermostat for constant temperature control
- Heat for one WS/GK-1935 shelter or for two WS/GK-20 shelters
- Heat exchanger to keep exhaust gas and heated air separate
- Large capacity diesel fuel tanks provide hours of continuous operation

## Components

- One 91,000 Btu, Indirect-Fired, Trifuel Heater
- Remote room thermostat

## GL- HT1000 Specifications

Dimensions	(49.3 x 20 x 30.5")	(1.25 x 0.5 x 0.77m)
Weight	94lbs	42 kg
Heat Input	110 kBTU/h	
Heat Output	91.9 kBTU/h	
Air Flow	880 cfm	
Fuel Type	Diesel/Kerosene	JP8 and Jet A/B
Power Supply	120 v, 60Hz	
Electric Usage	520 W, 5.76 A	
Fuel Usage	.80 g/h	5.53lb/h
Tank Capacity	10.8 gallons	40.9 liters
Pump Pressure	167 PSI	
Max Temp. Air Duct	250° F	
Flue Diameter	5.9in	15cm



## Features and Benefits

- Efficient air distribution - circulate heated and cooled air throughout the shelter
- Lightweight and compact for storage, each plenum comes in its own transport bag.
- Reconfigure from any HVAC duct boot connection
- Economical plenum systems are cheaper to install from a mechanical basis as less duct work is required

## Specifications

Part Number	CL-1935AP (fits SW-1935)	CL-20AP (fits SW-20)	CL-2360AP (fits SW-2360)*
Packaged Dimensions	26 x 8 x 8" (0.6 x 0.2 x 0.2 m)	26 x 8 x 8" (0.6 x 0.2 x 0.2 m)	(2)26 x 8 x 8" (0.6 x 0.2 x 0.2 m)
Weight	11 lbs (4.9 kg)	7 lbs (3.1 kg)	

\*two recommended per shelter



CL-20AP hanging in SW-20 shelter



## Features and Benefits

- Screen Wall Panels incorporate white, fire-retardant mesh
- Solid vinyl skirt around the base reduces the introduction of dust and dirt
- Wall panels can be changed from solid to screen in less than 5 minutes without the use of tools
- To fully wrap a GK1935, order both a right and left side panel
- Vector control and maximize natural cross-ventilation and air circulation throughout the shelter



## Specifications

Part Number CL-SWCK1935		
Dimensions	(2x) 21' 5" x 6' 8"	2x (6.5 x 2 m)
Weight	(2x) 34 lb.	2x (15.5 kg)
Part Number CL-SWH1935		
Dimensions	(2x) 21' 5" x 6' 8"	2x (6.5 x 2 m)
Weight	(2x) 34 lb.	2x (15.5 kg)
Part Number CL-SWCK20		
Dimensions	(2x) 15' 10" x 6' 8"	2x (4.8 x 2 m)
Weight	(2x) 26 lb.	2x (11.8 kg)
Part Number CL-SW20		
Dimensions	(2x) 15' 10" x 6' 8"	2x (4.8 x 2 m)
Weight	(2x) 26 lb.	2x (4.8 x 2 m)



## Features and Benefits

- Variable speed design allows for enhanced air circulation
- High-humidity and high-moisture applications
- Mixes air to save you money on heating and cooling bills
- Energy efficient 9,415 CFM of air movement using less energy than a 100 Watt light bulb
- Ceiling fan breaks down to fit into rugged carrying case for quick transportation and convenient storage
- Corrosion-resistant white powder coated finish
- UL/CUL certified (File # E130543) for outdoor and agricultural use

## Components

- Fan
- Hanging Bracket
- Speed Control Switch
- Carrying Case

## CL-FNC48VS Specifications

Packaged Dimensions	31 x 12 x 12"	(0.78 x 0.3 x 0.3 m)
Weight	17 lb	(7 kg)
Power	120 V	





**Features and Benefits**

- Self contained, portable, multiple air system will reduces odors, visible smoke, and specific contaminants on surfaces commonly found in the indoor environment.
- Fully adjustable fan speed/purifier levels
- LCD display on front of unit for settings and maintenance reminders
- No filters required
- Remote control
- Bracket for hanging included
- May be used separately
- Adjustable settings for areas from 250 to 3000 sq ft

**Components**

- AP 3000 Air Purification Unit
- Hanger Bracket
- Hanger Shelf
- GK-AP3000 strap

**CL-FNAP3000 Specifications**

Dimensions	12 x 9 x 12"	(30.5 x 22.8 x 30.5 cm)
Weight	16 lb	(7.3 kg)
Coverage	3,000 ft <sup>2</sup>	(914.4 m <sup>2</sup> )
Electrical	120V AC, 60 Hz, 70 Watts	
Mechanical	40-60 CFM fan	





## Features and Benefits

- The PRED1200UV combines the bacteria-killing power of germicidal UV technology with the air-cleaning performance of HEPA filtration.
- Variable speed airflow, with maximum rated airflow as high as 900cfm
- Roto-molded body components are made from UL94HB flame retardant resin with EPA-registered microbial growth and UV inhibitors
- Upright design includes a built-in transport dolly, non-marking rear wheels and front 360° swivel casters
- Can operate in tight spaces where horizontal operation is needed
- Power consumption of less than 3.5 amps @ 120VAC allows for daisy chaining multiple units per 15A circuit
- The PRED1200UV has been independently tested and certified in accordance with applicable UL and CSA safety requirements

## CL-ACAB1200UV Specifications

Dimensions	22 x 24 x 42"	(55.88 x 61 x 106.68 cm)
Weight	73 lbs	(33.11 kg)
Electrical Rating	120 VAC 60 Hz 15A	
Maximum Airflow	300 - 900 CFM	
Operating Amps	3.5 amps or less	
Motorized Impeller	400 watt, auto reset, 60 Hz, single phase	
Sound Level at 5'	62-67 dBA on high speed	
HEPA Filter Efficiency	99.97% @ 0.3 microns	
Cabinet Material	Polyethylene Cabinet Made From UL94HB Flame Retardant Resin	
Prefilter access	Hinged "no tools" access door	
First Stage Prefilter	F621, 1" deep coarse particulate	
Second stage Prefilter	H502UVR, 2" deep UV-resistant pleated particulate	
HEPA Filter	H610C-99	
UV Lamp	UV415, 23-watt UVGI lamp	



## Features and Benefits

- One-horsepower, two speed motor delivers airflow of 2,000 on High and 1,300 on Low (cfm)
- Roto-molded body components are made from UL94HB flame retardant resin making it lightweight and virtually indestructible
- Four heavy-duty 4" casters (2 fixed and 2 locking swivel) provide mobility and maneuverability
- Standard filters include: 1 ea. polypad prefilter, 1 ea. pleated prefilter and 1 ea. 99.97% HEPA filter  
Optional 12" HEPA and high-capacity carbon filters are available
- BD2KM is equipped with a visual "change filter" indicator lamp
- BD2KMA is equipped with a differential pressure gauge and an audible "change filter" alarm
- The BD2KM and BD2KMA have been independently tested and certified in accordance with applicable UL and CSA safety requirements

## CL-ACAB2000 Specifications

Dimensions	39.5 x 28.5 x 31.625"	(100.33 x 72.39 x 80.33 cm)
Weight	117 lbs	(53.07 kg)
Electrical Rating	120 VAC 60 Hz 15A	
Maximum Airflow	2,000 High Speed, 1,300 Low Speed	
Operating Amps	10 amps or less	
Motor	1 HP, 2 speed motor with thermal overload protection, auto re-set, 60 Hz, single phase	
Sound Level at 5'	70 dBA on high speed	
Cabinet Material	UL94HP flame retardant resin	
Prefilter access	Drop-in access door	
First Stage Prefilter	H2001, polypad	
Second Stage Prefilter	H2002, 2" deep particulate pleat	
Alternate Second Stage	VL2024, 2" deep high capacity carbon	
HEPA Filter	H242406-99, 6" deep 99.97% @ 0.3 microns	
Alternate HEPA Filter	H2010M, 12" deep 99.97% @ 0.3 microns	



## Features and Benefits

- Removes biological, chemical or particulate airborne contaminants.
- This system creates small negative pressure in shelters, providing isolation between the patient room and the outside environment.
- All the air pulled from the shelter is purified through 99.99% HEPA and by high intensity UVGI light before it is exhausted into the general area, which eliminates major contaminants.

## Standard Components

- Recessed controls with High / Off / speed control switch
- Variable speed controller
- Pressure gauge 0 - 3"WC
- UVGI light On / Off switch
- Hour meter
- 1 HP thermally protected motor
- 3" Hospital grade casters, 2 with swivel brakes
- Duct boot 10"
- Air duct 10'

## CL-ACOA2000 Specifications

Dimensions	(22 x 20 x 46")	(0.66 x 0.5 x 1.17m)
Weight	140 lbs	63.5kg
Air flow	200 to 1100 cfm	
Filtration stages	HEPA filter 99.99%, 0.3 u	MERV 11 primary / secondary filter
Power	115 VAC 60 Hz 6.0 amp (220 VAC available)	
UVGI Lights	4 UV-C 15 Watt lamps	
Construction	Aluminum housing with epoxy powder coat	



**Features and Benefits**

- Cost effective insulation minimizes heating and cool requirements and costs
- Configurable independently of shelter roof and walls for easy set up and options
- May be used separately
- Improved Thermal Comfort All Year Round - Insulation assists greatly in keeping heat within the shelter in winter and slowing the flow of heat into the building in summer
- Shelter insulation is an excellent sound absorber and can assist in reducing noise transmission for a quieter work environment
- Insulation reduces condensation by keeping the temperature of the surface at or below the dew-point of the air in contact with it
- Includes vinyl storage bag

**Specifications**

Fits	SW/GK1935	HS1935	SW/GK20
Part Number   Walls	SO-IN1935		SO-IN20
Packaged Dims	26 x 18 x 10"	(66 x 45.7 x 25.4 cm)	26 x 18 x 10" (66 x 45.7 x 25.4 cm)
Total Weight	36 lbs (kg)		27 lbs (kg)
Part Number   Roofs	SO-IN1935RP		SO-IN20RP
Packaged Dims	22 x 16 x 16"	(55.9 x 40.6 x 40.6 cm)	22 x 16 x 16" (55.9 x 40.6 x 40.6 cm)
Total Weight	37 lbs (kg)		21 lbs (kg)

## Features and Benefits

- Heavy duty 4-cycle, direct injection, turbocharged, charge air cooled diesel engine provides maximum reliability
- Brushless alternator reduces service and maintenance requirements
- Shock welding to steel frame for minimum vibration and extended service life.
- Weather-resistant steel housing for durability
- Sound-deadening enables operation as low as 62dBA full load at 23 ft.
- Automatic safety shutdown system monitors the water temperature, engine oil pressure, low coolant, low DEF, overspeed, and overcrank. Warning lights indicate abnormal conditions
- Fully covered power panel allows fast and convenient hookup for most applications including temporary power boxes, tools and lighting equipment. All are NEMA standard
- Meets EPA emissions standards
- Internal fuel tank with direct reading fuel gauges
- Illuminated, easy-to-read instrument panels
- Fully lockable enclosure for safe, unattended operation
- Fuel/water separator removes condensation from fuel for extended engine life!
- Transport options include trailers and wheel kits for complete mobility



## Specifications

Part Number	EL-GN125SSJU4I	EL-GN150SSJU4F	EL-GN25SSJU4F	EL-GN40SSKU4F	EL-GN45SSJU4F	EL-GN70SSJU4I
Engine	170.3hp John Deere	240hp John Deere	40.2hp Isuzu	48.3hp Kubota	65.7hp Isuzu	97.9hp John Deere
Output	125 Kva / 100 Kw	150 Kva / 120 Kw	25 Kva / 20 Kw	36 Kva / 28 Kw	45 Kva / 36 Kw	70Kva / 56 Kw
Dimensions	49 x 120 x 73" (1.25 x 3 x 1.85 m)	51 x 138 x 69" (1.2 x 3.5 x 1.75 m)	31 x 71.65 x 49.6" (0.7 x 1.8 x 1.25 m)	37.4 x 36 x 53" (0.94 x 0.91 x 1.3 m)	37.4 x 84 x 61" (0.94 x 2.1 x 1.5)	37.4 x 105 x 68" (0.94 x 2.66 x 1.7 m)
Weight (Dry)	5,137 lbs (2,330 kg)	6,615 lbs (3,000 kg)	1,797 lbs (815 kg)	2,250 lbs (1020 kg)	2,337 lbs (1,060 kg)	3,329 lbs (1,510 kg)
Cube	248.4 ft <sup>3</sup> (0.004 m <sup>3</sup> )	281 ft <sup>3</sup> (0.0046 m <sup>3</sup> )	63.75 ft <sup>3</sup> (0.001 m <sup>3</sup> )	41.3 ft <sup>3</sup> (0.0006 m <sup>3</sup> )	111 ft <sup>3</sup> (0.0018 m <sup>3</sup> )	154.5 ft <sup>3</sup> (0.0025 m <sup>3</sup> )
Fuel Consumption	7.3 gph at full load	8.4 gph at full load	1.62 gph at full load	2.2 gph at full load	1.62 gph at full load	4.4 gph at full load
Fuel Capacity	168 gallons (636 L)	69 gallons (260 L)	26 gallons (98 L)	67.4 gallons (L)	79.2 gallons	103 gallons
Decibels at 23 ft	70 dBA	66 dBA	65 dBA	61 dBA	66 dBA	65 dBA
Fits Trailer	EL-GNTRLR125USH	EL-GNTRLR180XFH	EL-GNTRLR45H EL-GNTRLR25US	EL-GNTRLR45H	EL-GNTRLR45H	EL-GNTRLR70USH

## Features and Benefits

- Heavy duty 4-cycle, direct injection, turbocharged, charge air cooled diesel engine provides maximum reliability
- Brushless alternator reduces service and maintenance requirements
- Shock welding to steel frame for minimum vibration and extended service life.
- Weather-resistant steel housing for durability
- Sound proofing enables operation as low as 64 dBA full load at 23 ft.
- Automatic safety shutdown system monitors the water temperature, engine oil pressure, low coolant, low DEF, overspeed, and overcrank. Warning lights indicate abnormal condition
- Fully covered power panel allows fast and convenient hookup for most applications including temporary power boxes, tools and lighting equipment. All are NEMA standard
- Meets Tier 4 EPA emissions standards
- Internal fuel tank with direct reading fuel gauges
- Illuminated, easy-to-read instrument panels
- Fully lockable enclosure for safe, unattended operation
- Transport options include trailers and wheel kits for complete mobility



## Specifications

Part Number	EL-GN15SPXU4F	EL-GN20SPXU4F	EL-GN36SPXU4F
Engine	Kubota Tier 4 Final	Isuzu Tier 4 Final	Kubota Tier 4 Final
Output	15 Kw	20 Kw	36 Kw
Dimensions	56.3 x 35.4 x 25.6" (1430 x 900 x 650 mm)	71.65 x 31.10 x 49.61" (1820 x 790 x 1260 mm)	87.01 x 37.40 x 61.02" (2210 x 950 x 1550 mm)
Weight (Dry)	1,179 lbs (535 kg)	1,797 lbs (815 kg)	2,448 lbs (1,110 kg)
Cube	29.52 ft <sup>3</sup> (0.83 m <sup>3</sup> )	63.97 ft <sup>3</sup> (1.8 m <sup>3</sup> )	114.9 ft <sup>3</sup> (3.25 m <sup>3</sup> )
Fuel Consumption	1.09 gph at full load	1.62 gph at full load	2.93 gph at full load
Fuel Capacity	16.4 gallons (62 L)	17 gallons (64.3 L)	26.5 gallons (100.3 L)
Decibels at 23 ft	64 dBA	65 dBA	66 dBA
Fits Trailer	EL-GNTRLRMPXF		



## Features and Benefits

- Connect to a shore power source or generator, these distribution panels provide a safe and reliable way to disperse power
- Four to ten available outlet positions from a 15 Amp 110v duplex to 50 Amp twist locks
- Single or three phase cam-lok inlet and outlet for adding additional panels or feeding another item
- Three phase Square D QO load center
- Three individual "phase on" high intensity pilot lamps
- Use storage stand to place panel away from generator
- Customer information can be laser etched into door
- Customized to fit customer spec

## Standard Components

- Carrying handle welded on top with a hook
- Enclosure and all hardware are stainless steel or aluminum
- Break resistant polycarbonate window

## Optional

- Stand
- Hooks to hang from generator

## Specifications

<b>EL-EDP100</b>		
Power	Four 50 Amp 125/250V Outlets	
Weight	36 lbs	(16 kg)
Phase	Single	
Use w/	15-20 KW Generator	
<b>EL-EDP200</b>		
Power	Six 50 Amp 125/250V Outlets	
Weight	45 lbs	20.4kg)
Phase	Three	
Use w/	20-36 KW Generator	
<b>EL-EDP300</b>		
Power	Eight 50 Amp 125/250V Outlets	
Weight	50 lbs	(22.6 kg)
Phase	Three	
Use w/	36-70 KW Generator	
<b>EL-EDP400</b>		
Power	Ten 50 Amp 125/250V Outlets	
Weight	50 lbs	(22.6 kg)
Phase	Three	
Use w/	70-150 KW Generator	





**Features and Benefits**

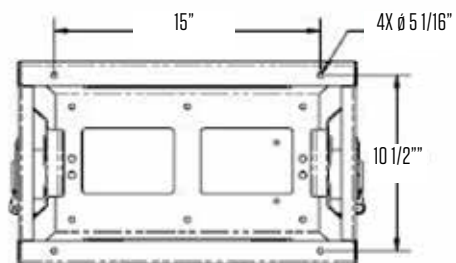
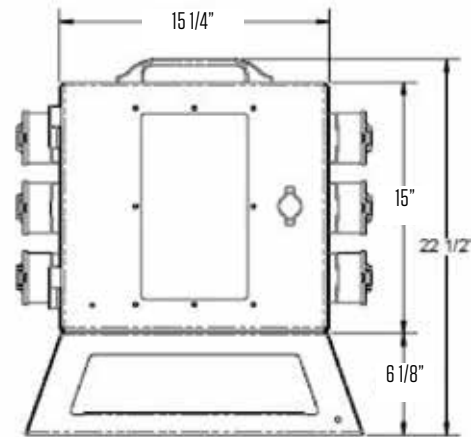
- Trystar MiniTuff Panel CamLok
- Input 200A 208Y/120V
- C(ETL) Listed
- UL 1640 Listed
- UL 50 Listed
- NEMA 3R

**Standard Components**

- Aluminum construction
- Mounted on heavy duty aluminum legs powdered to match panel
- Access door with breaker viewing window
- Pad lockable front door
- Protective caps on all panel mounts to prevent accidental contact
- Powder coat color: customer choice
- Multiple configurations

**EL-EDP2001P Specifications**

<b>Dimensions</b>	15.25 x 22.5 x 10.5"	(38.7 x 57.1 x 26.6 cm)
<b>Input</b>	200A 208Y / 120V	1 Set of Male 16 Series Panel Mounts
<b>Output</b>	6x 50A Cali Style Receptacle (125/250V)	
	6x 50A 2P Breaker	





## Features and Benefits

- Easily route power from high amp distribution panel to each shelter within a complex
- GFCI protected with UL outdoor listing for safe and reliable power
- Weather-proof with individual circuit breakers for dependability
- Available in 220 V

## Components

- Power Distribution Box
- Two 50' Power Cables
- Six 50' Extension Cords
- Powder Coated Aluminum Storage Case



## WS-EDK50 Specifications

<b>Power Box</b>		(36.8 x 53 x 28 cm)
Dimensions	14.5 x 21 x 11"	(36.8 x 53 x 28 cm)
Weight	30 lbs	(13.6 kg)
6 GFCI Protected Circuits	20 Amp 125 V	
1 Protected Outlet	30 Amp 240 V	
1 Feed Through	50 Amp 125/250 V	
<b>WS50A50 Power Cables</b>		
50' 125/250 V	6/4 and 8/1 SDW Water Resistant	
600 V	50A, 3P-4W 125/250 VAC	
Hubbel Model CS-6364C	Twist-Lock Plug Ends	
<b>WS15A50 Extension Cords</b>		
50' 110 V	Yellow Glow Flex Cord with LED Lighted Female End	
Molded 3-Wire Plug	Moisture and Flame Resistant	
UL/CL Listed	Meets OSHA Requirements	
<b>WS2060 Powder Coated Aluminum Storage Case</b>		
Dimensions	28 x 34 x 21"	(71 x 86 x 53 cm)
Weight	176 lbs	(80 kg)
Cube	11.57 ft <sup>3</sup>	(0.32m <sup>3</sup> )



**Features and Benefits**

- Provides internal power source throughout shelter
- Weather resistant duplex boxes securely mount to interior of shelter

**Specifications**

Part #	# 20 Amp Harnesses	# Junction Boxes	Dimensions		Weight	
EL-WHGK1935	4 Sets	3 - 2 Outlets Each	27 x 16 x 14"	(68.5 x 40.6 x 35.5 cm)	28 lbs	(12.7 kg)
EL-WHGK20	2 Sets	3 - 2 Outlets Each	27 x 16 x 6"	(68.5 x 40.6 x 15 cm)	14 lbs	(6.3 kg)
EL-WHH016	1 Set	3 - 2 Outlets Each	27 x 16 x 6"	(68.5 x 40.6 x 15 cm)	10 lbs	(4.5 kg)

Available in 220V





## Features and Benefits

- Recessed socket contacts within the insert create an arc-suppressing chamber which enhances protection if connectors are separated under load
- A combination of grommets and seals provides waterproof protection when devices are mated or unmated, capped or uncapped
- Extra hard usage Type G cable provides 4 current carrying conductors plus 4 ground conductors
- 4-inch clear heat shrink included for user label customization

## MIL-STD-22992 Cord Assemblies, Class L Specifications

Part Number	Description	Rating	Male Connector	Female Connector	Cable
EL-CB60A25M	Cord Assemblies, Class L, 25', MIL-STD-22992	60 Amp, 120/208 VAC	3 Phase, 4 Wire, Grounding*	3 Phase, 4 Wire, Grounding*	6/4 type G cable
EL-CB60A50M	Cord Assemblies, Class L, 50', MIL-STD-22992	60 Amp, 120/208 VAC	3 Phase, 4 Wire, Grounding*	3 Phase, 4 Wire, Grounding*	6/4 type G cable
EL-CB60A100M	Cord Assemblies, Class L, 100', MIL-STD-22992	60 Amp, 120/208 VAC	3 Phase, 4 Wire, Grounding*	3 Phase, 4 Wire, Grounding*	6/4 type G cable
EL-CB100A25M	Cord Assemblies, Class L, 25', MIL-STD-22992	100 Amp, 120/208 VAC	3 Phase, 4 Wire, Grounding**	3 Phase, 4 Wire, Grounding*	2/4 type G cable
EL-CB100A50M	Cord Assemblies, Class L, 50', MIL-STD-22992	100 Amp, 120/208 VAC	3 Phase, 4 Wire, Grounding**	3 Phase, 4 Wire, Grounding*	2/4 type G cable
EL-CB100A100M	Cord Assemblies, Class L, 100', MIL-STD-22992	100 Amp, 120/208 VAC	3 Phase, 4 Wire, Grounding**	3 Phase, 4 Wire, Grounding*	2/4 type G cable
EL-CB200A25M	Cord Assemblies, Class L, 25', MIL-STD-22992	200 Amp, 120/208 VAC	3 Phase, 4 Wire, Grounding**	3 Phase, 4 Wire, Grounding*	4/0/4 type G cable
EL-CB200A50M	Cord Assemblies, Class L, 50', MIL-STD-22992	200 Amp, 120/208 VAC	3 Phase, 4 Wire, Grounding**	3 Phase, 4 Wire, Grounding*	4/0/4 type G cable
EL-CB200A100M	Cord Assemblies, Class L, 100', MIL-STD-22992	200 Amp, 120/208 VAC	3 Phase, 4 Wire, Grounding**	3 Phase, 4 Wire, Grounding*	4/0/4 type G cable
MIL-STD-22992 Tie-In (Pigtail) Assemblies, Class L Specifications					
EL-TR60A9M	Tie-In Assemblies, Class L, 9', Receptacle x MIL-STD-22992	60 Amp, 120/208 VAC	3 Phase, Bare Cable End	3 Phase, 4 Wire, Grounding*	6/4 type G cable
EL-TR60A12M	Tie-In Assemblies, Class L, 12', Receptacle x MIL-STD-22992	60 Amp, 120/208 VAC	3 Phase, Bare Cable End	3 Phase, 4 Wire, Grounding*	6/4 type G cable
EL-TR60A13M	Tie-In Assemblies, Class L, 13', Receptacle x MIL-STD-22992	60 Amp, 120/208 VAC	3 Phase, Bare Cable End	3 Phase, 4 Wire, Grounding*	6/4 type G cable
EL-TR100A12M	Tie-In Assemblies, Class L, 12', Receptacle x MIL-STD-22992	100 Amp, 120/208 VAC	3 Phase, Bare Cable End	3 Phase, 4 Wire, Grounding*	2/4 type G cable
EL-TR100A15M	Tie-In Assemblies, Class L, 15', Receptacle x MIL-STD-22992	100 Amp, 120/208 VAC	3 Phase, Bare Cable End	3 Phase, 4 Wire, Grounding*	2/4 type G cable
EL-TR200A9M	Tie-In Assemblies, Class L, 9', Receptacle x MIL-STD-22992	200 Amp, 120/208 VAC	3 Phase, Bare Cable End	3 Phase, 4 Wire, Grounding*	4/0/4 type G cable

For custom cable lengths and cable labels, please contact us at 1.800.971.7201

\*Construction includes (5) pins/contacts

Part Number	Description	Rating	Male Connector	Female Connector	Cable
EL-TR200A12M	Tie-In Assemblies, Class L, 12', Receptacle x MIL-STD-22992	200 Amp, 120/208 VAC	3 Phase, Bare Cable End	3 Phase, 4 Wire, Grounding*	4/0/4 type G cable
EL-TR200A15M	Tie-In Assemblies, Class L, 15', Receptacle x MIL-STD-22992	200 Amp, 120/208 VAC	3 Phase, Bare Cable End	3 Phase, 4 Wire, Grounding*	4/0/4 type G cable
MIL-STD-22992 Tie-In (Pigtail) Assemblies, Class L Specifications					
EL-TP60A9M	Tie-In Assemblies, Class L, 9', Plug x MIL-STD-22992	60 Amp, 120/208 VAC	3 Phase, 4 Wire, Grounding*	3 Phase, Bare Cable End	6/4 type G cable
EL-TP60A12M	Tie-In Assemblies, Class L, 12', Plug x MIL-STD-22992	60 Amp, 120/208 VAC	3 Phase, 4 Wire, Grounding*	3 Phase, Bare Cable End	6/4 type G cable
EL-TP60A13M	Tie-In Assemblies, Class L, 13', Plug x MIL-STD-22992	60 Amp, 120/208 VAC	3 Phase, 4 Wire, Grounding*	3 Phase, Bare Cable End	6/4 type G cable
EL-TP100A12M	Tie-In Assemblies, Class L, 12', Plug x MIL-STD-22992	100 Amp, 120/208 VAC	3 Phase, 4 Wire, Grounding*	3 Phase, Bare Cable End	2/4 type G cable
EL-TP100A15M	Tie-In Assemblies, Class L, 15', Plug x MIL-STD-22992	100 Amp, 120/208 VAC	3 Phase, 4 Wire, Grounding*	3 Phase, Bare Cable End	2/4 type G cable
EL-TP200A12M	Tie-In Assemblies, Class L, 12', Plug x MIL-STD-22992	200 Amp, 120/208 VAC	3 Phase, 4 Wire, Grounding*	3 Phase, Bare Cable End	4/0/4 type G cable
MIL-STD-22992 Electrical Accessories, Class L Specifications					
EL-RCWM60AM	Receptacle, Wall Mount, Class L, MIL-STD-22992	60 Amp, 120/208 VAC			
EL-PLIN60AM	Plug, Male Inline, Class L, MIL-STD-22992	60 Amp, 120/208 VAC			
EL-CNIN60AM	Connector, Female Inline, Class L, MIL-STD-22992	60 Amp, 120/208 VAC			
EL-PLWM60AM	Plug, Wall Mount, Class L, MIL-STD-22992	60 Amp, 120/208 VAC			
EL-RCWM100AM	Receptacle, Wall Mount Class L, MIL-STD-22992	100 Amp, 120/208 VAC			
EL-PLIN100AM	Plug, Male Inline, Class L, MIL-STD-22992	100 Amp, 120/208 VAC			
EL-CNIN100AM	Connector, Female Inline, Class L, MIL-STD-22992	100 Amp, 120/208 VAC			
EL-PLWM100AM	Plug, Wall Mount Class L, MIL-STD-22992	100 Amp, 120/208 VAC			
EL-RCWM200AM	Receptacle, Wall Mount, Class L, MIL-STD-22992	200 Amp, 120/208 VAC			
EL-PLIN200AM	Plug, Male Inline, Class L, MIL-STD-22992	200 Amp, 120/208 VAC			
EL-CNIN200AM	Connector, Female Inline, Class L, MIL-STD-22992	200 Amp, 120/208 VAC			
EL-PLWM200AM	Plug, Wall Mount, Class L, MIL-STD-22992	200 Amp, 120/208 VAC			

For custom cable lengths and cable labels, please contact us at 1.800.971.7201

\*Construction includes (5) pins/contacts





## Features and Benefits

- Lightweight, compact design for easy transport and storage
- Connect lights to form a versatile string
- On/Off switch on each fixture allows power to pass through to next light
- Single full power white mode
- Hanging straps for easy mounting
- Humidity resistant to function in all climates
- Longer life, lower power consumption than fluorescent

## Optional

- Hard plastic case (fits up to 4 lamps)  
53 x 16 x 16 in, 19.5 lbs  
Wheels and handles for easy transport  
Compliant to Federal Standards for drop testing, impact resistance, vibration and water immersion.

## EL-LTINLEDW Specifications

Input Voltage	100 - 240 VAC	50 or 60 Hz
Power	17 Watts	
Amps	.14 @ 120 VAC	
Current Draw	0.14A	120 VAC
Volume	113 in <sup>3</sup>	(729 cm <sup>3</sup> )
Lumens	2,000	
Max Operating Surface Temp	122°F@ 70°F Ambient	(50°C@ 21°C Ambient)
Weight	3.9 lbs	(1.76 kg)
Major Diameter	3.75 In	(9.5 cm)
Minor Diameter	2.60 in	(6.6 cm)
Body Length	26.8 in	(68 cm)
Std. Cord Length	46.6 in	(118 cm)
Overall Length	120 in	(304 cm)
Plug Type	NEMA 5-15 (standard)	



## Features and Benefits

- Twin lamp design for high intensity lighting
- More efficient and lighter weight than magnetic ballast lights
- Flicker free, no excessive heat build up
- Low amp draw, will not tax field generators
- Available with patented dimmer sleeve technology, adjust illumination levels without dimmer controls
- Meets US and Canadian standards for water resistant portable lighting

## Standard Components

- Shatterproof, protective tube shield
- Hanger straps

## Optional

- Light Dimmer Sleeve™
- Full EMI protection option is available

## Lighting Kits

- EL-LTILDS120 All-weather inline lamp with Dimmer Sleeve™, and hanger straps. 120V, 36W, 165FC
- EL-LTILDS120EM All-weather inline 120/240V lamp with Dimmer Sleeve™. Fully EMI protected. Complies with MIL-PRF-44259
- EL-LTIL120 All-weather inline lamp with hanger straps. 120V, 36W, 165FC
- EL-LTIL230 All-weather inline lamp with hanger straps. 230V, 36W, 165FC
- EL-LTILDS230 All-weather inline lamp with Dimmer Sleeve™ and hanger straps. 120V, 36W, 165FC
- EL-LTIL120 All-weather stand alone lamp with hanger straps. 120V, 36W, 165FC
- EL-LTSADS120 All-weather stand alone lamp with Dimmer Sleeve™ and hanger straps. 120V, 36W, 165FC
- EL-LTDS Light Dimmer Sleeve™ and hanger strap set

## EL-LTILDS120 Specifications

Input Voltage	Single Volt 110	
Power	36 Watts	
Amps	.3 @ 120 VAC	
Lumens	2,000	
Illumination	165 fc @ 18"	
Max Operating Surface Temp		
Weight	3.4 lbs	(1.15 kg)
Body Length	31.9 in	(81 cm)
Std. Cord Length	89.1 in	(226.3 cm)
Overall Length	115 in	(292 cm)
Ballast type	110V - 230V, 6.5' pigtailed	
Plug Type	NEMA 5-15 (standard)	





## Features and Benefits

- 2 lights in 1: combination area and spotlight
- Can function as a lantern or be tripod mounted to deliver up to 3,000 lumens of field lighting
- Built to last, nylon body withstands impact and heat
- All weather and waterproof: fully submersible up to 10'
- Up to 24 hours of battery life
- Self-contained with built-in carry handle for ease of transport
- Tripod mountable, can be magnet mounted or placed on ground

## EL-LT2.5KSC Specifications

Lumens	500-3,000 lumens
Battery Life	3-24 hours   battery life indicator
Light Output	2,500 lm, 3 hrs-High   850 lm, 9 hrs-Med   400 lm, 24 hrs-Low
Power Source	Rechargeable Lithium-Ion Battery System
Charge Time	4 hours
Modes	3 (Low, Medium, High)
Weight	4.3lbs (2kg)
Dimensions	8.7" x 5.3" x 4.3" (221 x 135 x 210 mm)
Certifications	CE
Ingress Protection	IPX7
Fire Resistant	Meets NFPA 1971-8.6 (2013) Requirements
Waterproof	9.8 ft (3 m)
Impact Resistant	3.3 ft (1 m)
Color Temperature	5700 K
LED Color	White
Operating Temperature	14°F (-10°C) to 300°F (149°C)
Materials	66 with glass fiber; 6061-T6 aluminum head; Polycarbonate Sliding Diffuser Lens
Beam Angle	12 degree
Max Beam Distance	1,200 ft (366 m)







## Features and Benefits

- Light up a scene in seconds with battery powered portable scene lights
- Cordless, rechargeable LED lights can operate as spotlight, flood, and 360° scene light (part #s EL-LT7KSCTR and EL-LT14KSCTR) with a run time up to 24 hours
- Anchor Points for sand bag weights

## Specifications

Product #	EL-LT4KSCTR (Area + Spotlight)	EL-LT7KSCTR (Area + Spotlight + Scene Light)	EL-LT14KSCTR (Area + Spotlight + Scene Light)
Lumens	600 - 5,000	900-8,000	3,000 - 16,000
Battery Life	3-24 hours	3-24 hours	3-24 hours
Light Output	4,000 lm, 3 hrs-High   4,000 lm 10 hrs, Blink 1,300 lm, 9 hrs-Med   500 lm, 24 hrs-Low	7,000 lm, 3hrs-High   2,100 lm, 9 hrs-Med   700 lm, 24 hrs-Low	14,000 lm, 3 hrs-High   5,500 lm, 9 hrs-Med   2,000 lm, 24 hrs-Low
Power Source	Rechargeable Lithium-Ion Battery System	Rechargeable Lithium-Ion Battery System	Rechargeable Lithium-Ion Battery System
Modes	4 (Low, Medium, High, Flashing)	4 (Low, Medium, High, Flashing)	3 (Low, Medium, High)
Weight	18lbs (8.16kg)	24 lbs (11 kg)	64.5 lbs (29.2 kg)
Dimensions	34.4" x 4.6" (878 x 117mm)	39.9" x 4.6" (1014 x 117 mm)	Dimensions of Light Head: 6" x 14" (152 x 356 mm) - 360 Dimensions of Tripo-Scope®: 7.3" x 41.5" (185 x 1054 mm) - Stored 10.75" (Deployed, without Light Head) Dimensions of Power Pack: 6.5" x 19" (165 x 483 mm)
Stowed Length	34.4" (874 mm)	39.9" (1012 mm)	
Max Height When Deployed	8' (2.4m)	8'6" (2.6m)	12.5' (3.8m)
Certifications	CE	CE-EMC, CE-LVD	CE
Ingress Protection	IPX7	IPX7	IPX7
Fire Resistant	Meets NFPA 1971-8.6 (2013) Requirements	Meets NFPA 1971-8.6 (2013) Requirements	Meets NFPA 1971-8.6 (2013) Requirements
Waterproof	9.8 ft (3 m)	9.8 ft (3 m)	9.8 ft (3 m)
Impact Resistant	3.3 ft (1 m)	3.3 ft (1 m)	
LED Color	White	White	White
Color Temperature	5700K	5700K, CRI 65	5700K
Operating Temperature	14°F (-10°C) to 300°F (149°C)		
Materials	Nylon 66 with glass fiber; 6061-T6 aluminum head; Polycarbonate Sliding Diffuser Lens; Stainless steel telescoping tube	Combination of Nylon 66 body with 6061-T6 aluminum head; Stainless steel telescoping tube; Polycarbonate lens and diffuser	Nylon 66 with glass fiber and 6061-T6 aluminum head; Stainless Steel Telescoping Poles; Polycarbonate Sliding Diffuser Lens
Beam Distance	3,356 ft (1,023 m)	2,963 ft (903 m)	4,190 ft (1,277 m)
Beam Angle	8 degree spotlight; 120 degree area	12 degree spotlight, 120 degree area light, 360 degree scene light	12 degree spotlight, 360 degree scene Light



## PORTABLE BUNK BED SYSTEM

### Features and Benefits

- Bunkable solution that sleeps two in the space of one
- Sets up fast with no tools needed; fully disassembles
- Unique leg design balances weight, adjusts to uneven ground
- Packs compact for efficient shipping, warehousing and Tricon storage
- Stores flat in 2 carry bags and together in its own outer transport carry bag
- No mid-beam, no mattress – just comfort and support
- Beige, powder coated, anti-rust steel frame
- Beige 900D polyester fabric, PVC coated, is water, mildew and stain resistant
- Water resistant outer transport bag
- Can be configured as a bench
- Replaceable parts
- Berry Amendment compliant units available

### Components

- 1 Outer Transport Bag
- 2 Cots
- 2 Side Organizers
- 2 Carry Bags
- Set of Stack Adapters (2 in each bag)
- 2 Locking Straps (1 in each bag)
- 4 Stabilizer Bars (2 in each bag)

### SA-FRBNKDS Specifications

Sleep Area	79" L x 35" W	(201cm L x 88cm W)
Dimensions	82" L x 39.5" W x 43" H	(208cm L x 100cm W x 110cm H)
Pack Weight	81lbs	(37kg)
Weight Tolerance per cot	500lbs	(272kg)
Height of Bottom Cot	16"	(40cm)
Height of Top Cot	39"	(99cm)
Bag Dimensions	39" L x 18" W x 3.5" H	(100cm L x 45cm W x 9cm H)
Outer Bag Dimension	40" L x 20" W x 8" H	(102cm L x 51cm W x 20cm H)



**Features and Benefits**

- Easy set-up, no tools required
- Sturdy bunk beds rated for 900lbs combined weight rating (450 lbs per level)
- Leg stands are articulated and fold for storage
- Fully self-supporting and works well on uneven ground
- Fabricated from rectangular powder-coated aluminum tubing covered with 18 oz/yd polyester mesh for a cool, supporting surface
- Comfort, mesh surface of bed conforms to the body to create a comfortable sleeping pocket for each individual

**Components**

- Powdered aluminum bunk bed frame with 18 oz/yd mesh
- Heavy duty vinyl storage bag with carrying handles

**Optional**

- Bunk Bed Cart (SA- FRBNKCRT) holds 25 bunks

**SA-FRBK Specifications**

Dimensions	72 x 32.5 x 44"	(183 x 82.5 x 112 cm)
Stowed Dimensions	84" x 8" diameter	(213 x 20 cm)
Total Weight	62 lb	(28 kg)





## Features and Benefits

- These interchangeable working platforms connect at different heights, widths, and lengths
- Sturdy table can support up to 800 pounds
- Frame constructed of surgical grade stainless steel
- Easily deployed and quickly stored
- Thermoformed ABS surface provides stable load bearing platform
- Treated to eliminate electrostatic discharge
- Interconnect in a variety of ways with unique Slotlok system
- Optional components provide heightened functionality

## Components

- ABS Table Top
- Stainless Steel Frame
- 4 Reversible Foot Pads
- 4 Vertical Connection Plugs
- 4 Casters

## Optional

- Asset Table Shelf
- Multi-Purpose Utility Tray (36" or 60")
- Protective Bags

## SA-ASTTBL Specifications

Dimensions		
Folded	2.75 x 36 x 60"	(7 x 91 x 152 cm)
Open/No Leg Ext.	22 x 36 x 60"	(56 x 91 x 152 cm)
Open/Leg Ext.	32 x 36 x 60"	(81 x 91 x 152 cm)
Open/Leg Ext./Wheels	36 x 36 x 60"	(91 x 91 x 152 cm)
Weight		
Table	42 lb	(19 kg)
Table/Leg Extensions	55 lb	(25 kg)
Table Top Only	22.5 lb	(10 kg)
Frame	32.5 lb	(14.7 kg)
Caster Wheels	2.75 lb	(1.2 kg)



**Features and Benefits**

- Rapidly deployable with integration into existing shelter
- Collapsible and lightweight for easy storage
- Provides in shelter work space
- Durable desk set holds up to 50 lbs per table top and 25 lbs per shelf

**S0-WSK20 Specifications**

<b>Table Dimensions</b>	26.5" wide	(0.67 m)
<b>Shelf Dimensions</b>	10" wide	(0.25)
<b>Length</b>	Length varies per shelter—work stations span one wall segment	
<b>Total Weight</b>	52 lbs	(23.5 kg)





## Features and Benefits

- Versatile portable kitchen has the ability to heat, microwave, wash, and refrigerate
- Plenty of storage space for all your spices, utensils pots and pans
- Large prep area included once the doors are open
- Completely plumbed and wired for seamless integration into your existing Western Shelter water distribution system
- Standalone operations with a simple garden hose connection if hot water at the tap is not required

## Components

- Powder Coated Aluminum Case On Heavy Duty Wheels With Recessed Handles, Cam Locks,
- Ceramic 2-Burner Cook Top With Surface Warning Lamp
- Refrigerator With Freezer
- 1000 Watt Microwave
- Stainless Steel Sink

## SA-FRPKK Specifications

Dimensions		
Closed	64 x 30 x 47"	(163 x 76 x 119 cm)
Deployed	129 x 30 x 42.5"	(328 x 76 x 108 cm)
Counter	129" wide x 28" deep	(328 x 71 cm)
Weight		
	450 lb	(204 kg)
Usable Counter Space		
	3,600 in <sup>2</sup>	(2.32 m <sup>2</sup> )
Stove Burners		
	1200 & 1700 Watts	
Usable Refrigerator Space		
	51 ft <sup>3</sup>	(0.14 m <sup>3</sup> )
Microwave Cube		
	0.7 ft <sup>3</sup>	(0.02 m <sup>3</sup> )
Sink Dimensions		
	14" x 16"	(35.5 cm x 40.6 cm)
Operates On A Single 110V/60 Hz 20 Amp Circuit		



**Features and Benefits**

- Fully adjustable lamp heads for proper positioning
- Designed to be easily accessible to improve the safety of your team
- Universal custom mounting bracket allows the safety kit to be securely attached to shelter leg bars
- Easy access to batteries eliminates the need to remove the alarm from the ceiling for battery changes
- UL listed and meets or exceeds the following: UL 924, NEC, OSHA and NFPA 101 Life Safety Code requirements
- Efficient and secure Exit sign / Emergency Light Combo-LED light uses long lasting NiCads that are very low maintenance
- Talking combination smoke & carbon monoxide alarm safety feature alerts you to both smoke and/or carbon monoxide
- ABC rated fire extinguisher is a versatile solution for nearly any fire risk, from Class A (trash, wood, and paper), to Class B (liquids and gases), and Class C (electrical fires)

**Components**

- Heavy Duty Storage Case
- One Safety Mounting Plate
- Leg Bracket
- Emergency Light
- Lighted Exit Sign
- Fire Extinguisher And Indicator Sign
- Smoke/Carbon Monoxide Detector

**SA-FREMRK10 Specifications**

Packaged Dimensions	31 x 12 x 12"	(0.78 x 0.3 x 0.3 m)
Weight	33 lb	(15 kg)





## Features and Benefits

- Versatile, sturdy and durable multi-use medical treatment bed
- Patient accessibility: bed hand rails quickly remove to access patients
- Adjustable backrest for patient comfort/multiple treatment needs
- Medical grade stainless steel for strength and durability
- RF-welded mattress seams allow for decontamination
- Anti-microbial cover fabric can be disinfected for re-use
- 2" pressure relief convoluted foam mattress provides comfortable sleeping surface
- Constructed of medical grade stainless steel for strength and durability
- Locking caster wheels with 10" leg extensions keeps bed safely in place
- Complies with WCFR 1633 fire code

## Components

- 1 Standard E-Bed
- Adjustable leg extensions with locking casters
- Handrails
- 2" pressure relief convoluted foam mattress
- Adjustable backrest and molded ABS patient deck
- Adjustable IV pole
- Linen kit and pillow case
- Mesh shelf
- 2 caster storage bags

## Optional

- Cart stores 10 E-Beds in 34" x 84" x 72" (0.9 x 2.1 x 1.8 m)

## SA-MEBEDCMPT Specifications

Dimensions	6' 8" x 2' 7"	(2.0 x 0.8 m)
Height	Adjustable up to 35"	(0.9 m)
Weight	92 lb	(41.7 kg)







### Key Features and Benefits

- Two options of medical beds to suit the specific needs of your hospital
- SA-MEWC30 was designed to accommodate active patients with an increased height for accessibility
- Easy assembly, lightweight rust proof aluminum frame weighs only 32 lbs
- Reinforced decking with hook and loop springs provides 450 lbs working capacity
- Spun tube ends with heavy duty leg locks on all legs prevents bed from unintentional moves
- High strength patient restraint, stow on board safety rails contribute to the safety of this patient bed
- Fire resistant mattress meets FED STD 1633 and ADA compliant
- Spring and deck design, 2" convoluted foam mattress for a comfortable sleeping surface
- 18" Wheelchair transferable height - or choose 30" active patient care procedure height, depending on the needs of your staff
- 2 position Trendelenburg foot elevator and 5 position head elevator with locking cord provides high degree of adjustability
- Lightweight foldable aluminum frame for stacked storage

### Components

- Head elevator lock: simple, reliable locking cord keeps the adjuster in place
- High strength springs: looped and crimped for safety and comfort
- Stow on board IV pole and safety rails
- Leg locks on all legs
- Waterproof, Antimicrobial mattress

### Optional

- Disposable linens

### SA-MEWC18 Specifications

Dimensions	35" x 81" x 18"	(0.88 x 2 x 0.4 m)
Folded Dimensions	35" x 42" x 8"	(0.88 x 1 x 0.2 m)
Weight	32 lbs	(14.5 kg)
Sleeping Surface	32" x 80"	(0.8 x 2 m)
Capacity	450 lbs	(204 kg)

### SA-MEWC30 Specifications

Dimensions	35" x 81" x 30"	(0.8 x 2 x .76 m)
Folded Dimensions	35" x 42" x 8"	(0.8 x 1 x 0.2 m)
Weight	40 lbs	(18 kg)
Sleeping Surface	32" x 80"	(0.8 x 2 m)
Capacity	450 lbs	(204 kg)



## Features and Benefits

- Organize, store and have medical supplies readily available at the patient's side
- 32 mesh pouches allow for organized storage
- Various sized pouches with hook and loop closures facilitates secure storage for small and large supplies
- Medical glove boxes with quick-grab openings
- Durable 18 oz. vinyl allows for easy disinfection and decontamination
- Hangs from shelter frame or optional self-supporting stand
- Unique Built-in adjustable desktop allow operator work space at the bed side or where bag is hung
- Rolls up for transport and storage without having to unpack supplies

## SA-MEMOBAG Specifications

Dimensions	27 x 60"	(0.7 x 1.5 m)
Desk Space	24 x 17"	(0.6 x 0.4 m)
Weight	6 lb	(2.7 kg)





## Features and Benefits

- Divides shelter into 10 separate treatment areas
- Constructed of 6 oz. white vinyl that can be washed and decontaminated
- Includes heavy duty Cordura bag

## SA-MEPPC1935 Specifications

Partition Dims 1935	55 x 98"	(1.39 x 2.48 m)
Weight (including bag)	45 lbs	(20.4 kg)
Bag Dimensions	13 x 30"	(0.3 x 0.7 m)





## Features and Benefits

- Abatement-helps to create and maintain "clean to dirty" directional airflow when used in combination with portable HEPA filtration systems
- Vital component in maintaining +/- air pressure. Available for Entryway, Vestibule Connector or Vehicle Boot
- Versatile design allows installation without striking shelter and can be installed when needed
- Cost-effective isolation solution provides an alternative to fixed anterooms during potential airborne infectious outbreaks.
- Fast, non-permanent installation offers maximum flexibility for use when you need it, where you need it.

## Components

- Rigid door

## Specifications

Part Number SO-VC8IU		
Works with	Vestibule Connector	
Dimensions	98.5 x 94"	(2.5 x 2.3 m)
Weight	72 lb	(32.7 kg)
Cubic Feet	12.4 ft <sup>3</sup>	(3.8 m <sup>3</sup> )
Part Number SO-VE8IU		
Works with	Vestibule Entryway or Vehicle Boot	
Dimensions	98.5 x 94"	(2.5 x 2.3 m)
Weight	72 lb	(32.7 kg)
Cubic Feet	7.6 ft <sup>3</sup>	(2.3 m <sup>3</sup> )



### Features and Benefits

- Double acting opening motion allows for hands free, easy to open, smooth operation and allows for safe passage of personnel and equipment.
- Designed for interior usage
- Trip hazard reduction: threshold lies flat on ground, allowing gurneys to roll over it
- Simple storage: folds in half for easy storage and includes storage bag to maintain all components together
- Kick plate protects door from damage
- Clear pane windows resist condensation while maintaining clarity and insulating properties

### Components

- 6063-T5 Aluminum Door Frame
- Two 72" Tall Doors
- Beige And Clear Vinyl
- Storage Bag

### SO-D046GKB Specifications

Dimensions	6' 1" x 4' 2"	(1.8 x 1.3 m)
Weight	72 lbs	(32.65 kg)
Packaged Dimensions	28 x 73 x 6.5"	(0.7 x 1.85 x 0.16 m)
Hinges	603 spring hinges	
Windows	Standard size	
Kick Plate	1/8" (0.3 cm) ABS plastic	



With Western Shelter Systems' Mobile ACC Support Package, you have the equipment and supplies needed to quickly establish a 50-bed Alternative Care Center/Facility in any appropriate location.

## Standard Supportive Care Package

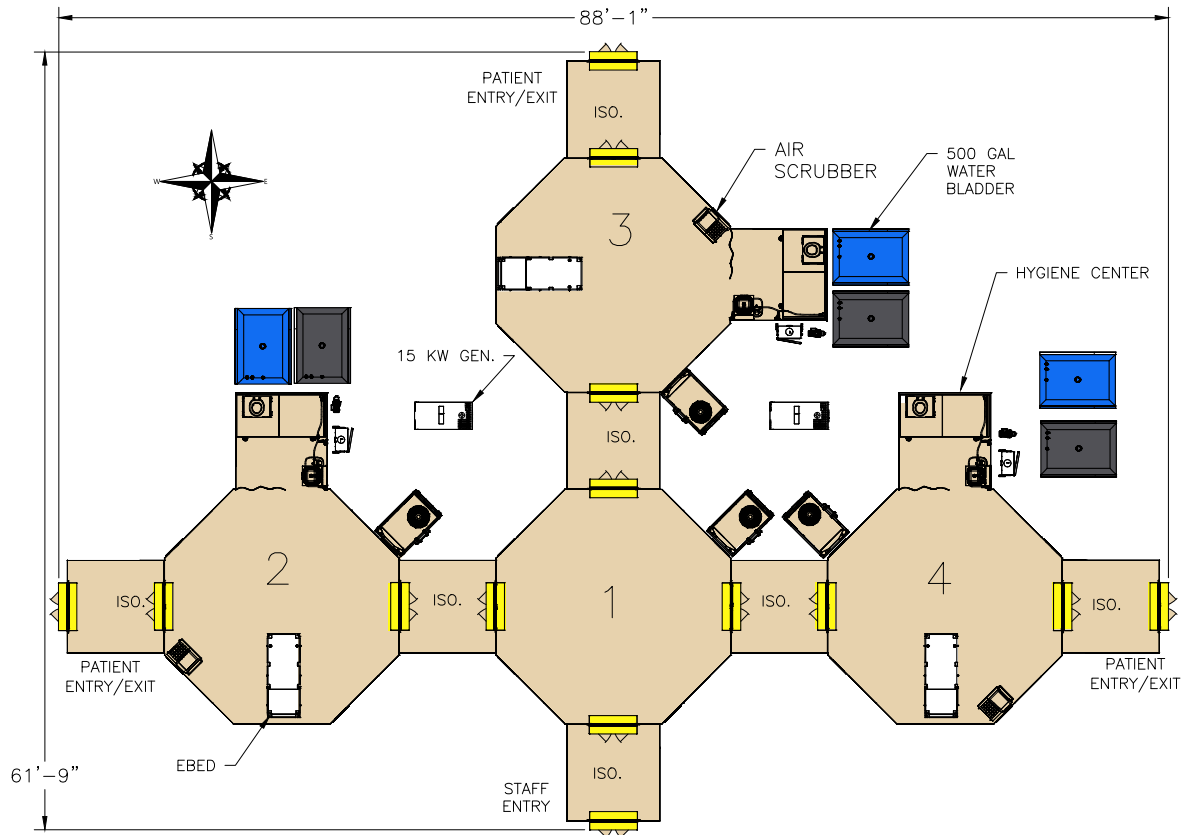
Army-Style Folding Cots	50
Steel Powder Coated Wheeled Carts	2
Disposable Blankets	150
Piece Linen Sets	150
Disposable Pillows	150
N95 Masks	240
Small Powder Free Exam Gloves	1,000
Medium Powder Free Exam Gloves	1,000
Large Powder Free Exam Gloves	1,000
Gowns For Staff	150

Blood Pressure Cuffs	5
Stethoscopes	10
Adult Bag Valve Masks	12
IV Poles	25
Folding Resin Table 37" x 37" (94 cm x 94 cm)	1
Folding Metal Chairs	4
Small Plastic Wastebaskets	2
Box of 12 Sharpie Pens	1
Box of Ballpoint Pens	1
Legal Pads and Clip Boards	5
Bottles of Hand Sanitizer	10
Patient Belonging Bags	100
Patient Tracking Wrist Bands	100

## Standard 20' (6 m) Trailer System

- Powder Coated, Aluminum Adjustable Shelving with Cargo Net
- Drop-Down Jacks
- 102" (2.6 m) Wide Body
- Recessed E-Track
- Recessed Floor Tie-Down D-Rings
- Heavy-Duty Tongue Jack
- Passenger Side Entry Door with Foldable Step
- Tandem Axle (10,000 lb GVW)

- 12 V Dome Lights
- 12 V Rear Load Lighting
- Solid Rubber "Wheel Chocks"
- Folding Trailer Ramp Door with Spring
- Assist and Drop Down Trailer Ramp
- Fire Extinguisher
- Spare Tire Kit
- Dehumidifier System



## Objective:

Provide a comprehensive alternative health facility that is designed to be functional, yet modular and portable for managing the infectious disease patient. Emerging infectious disease is an ever present danger in our society. Whether it is a seasonal influenza or an Ebola outbreak, the infrastructure of a hospital needs to remain as clean as possible during these events. Triage, treatment, quarantine, and isolation of these patients in an off-site facility may be critical to protecting the hospital's infrastructure.

## Conditions:

The facility should be portable, easy to erect, and easy to manage. The interior space should look as close to a brick and mortar structure as possible to reduce stress on patients and staff. Having spacious, well lit individual patient areas, functional staff areas, and good patient flow is also key. Isolation capability with negative pressure, HEPA filtration and climate control are required for safety. Individual patient areas that are separated by a double door air lock, and individual Hygiene Center, create the ultimate in patient isolation.

## Components:

Western Shelter's line of GateKeeper shelters is perfectly suited to meet the needs of this mission. Extended entryways with air locks help maintain the negative pressure atmosphere of the complex. Separate dressing areas that are directly connected within the complex helps maintain a secure and safe environment for both staff and patients.

## Guided Tour:

As you open the hinged door to the staff entrance, you feel a rush of air enter behind you. Once inside the airlock, a five count will ensure the correct pressure has been reestablished. Entering the Ante Room (1), you will see that this is a room designated for staff only. This is considered a clean area where personal protective gear can be donned. Medical supplies and other essential gear may be gathered here before entering one of the 3 patient area airlocks. Again, once inside the airlock, wait 5 seconds to allow for the pressure to build. Now inside one of the patient areas (2, 3 or 4) the shelter contains an E-Bed, MO bag, and any other needed equipment. There is a patient entrance on one wall, and a hygiene center on another. The hygiene center is there for patient use or gross decon of a staff member if needed. When it is time to leave the patient area, staff and patients must leave through the Exit airlock. Decontamination consistent with local standards should occur as they exit the airlock. Western Shelter can assist with decontamination components, but is not responsible for training or waste removal. Removal of waste, linens, and other "dirty" items from the interior will be passed through one of a few designated openings in the shelter. Staff areas are meant to be completely separate from the treatment complex.



## Features and Benefits

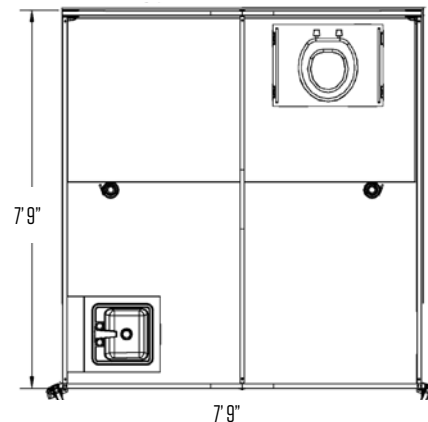
- Provides a self-contained unit with shower, sink and toilet
- User-friendly, private hygiene system integrates directly into the shelter system
- Attaches to the existing shelter in 20 minutes
- Two individual private stalls
- Hot and cold sink with efficient propane water heater with two hot water outlets
- Water distribution system with potable and gray water collection
- All hoses and fittings for water distribution are included
- Dry chemical self-containing toilet system approved by the EPA
- Can also be used as a 58 sq. ft. storage unit, changing room, pharmacy area, etc.

## Components

- Aircraft grade frame assembly
- Vinyl wall, roof (with insulation) and flooring system
- Vinyl hanging shower and toilet stall
- Single basin sink
- Propane water heater
- Toilet-in-a-box with Brief Relief system
- Privacy curtain
- Shower floor mat (2)
- Shower caddy
- Dry bag for shower
- High-wind tie-down stake kit
- 2020 powder coated aluminum storage case

## WA-HYHCK Specifications

Usable Area	58 ft <sup>2</sup>	(17.7 m <sup>2</sup> )		
Total Weight	568 lb	(258 kg)		
Total Set Up-Time	20 min / 2 personnel			
<b>Dimensions</b>				
Footprint	7' 8.5" x 7' 8.5"	(2.4 x 2.4 m)		
Sidewall	6'	(1.8 m)		
Peak	6' 7.3"	(2 m)		
<b>Packaged Dimensions</b>			<b>Weights</b>	
2020 Case	94 x 18 x 21"	(2.3 x 0.4 x 0.5 m)	248 lbs	(112 kg)
2060 Case	34 x 28 x 21"	(0.8 x 0.7 x 0.5 m)	186 lbs	(84 kg)
Water Heater	39.5 x 22.5 x 13.5"	(1 x 0.5 x 0.3 m)	77 lbs	(35 kg)







**Features and Benefits**

- Single stall with enclosed toilet for privacy
- The U.S. military rated its shelf life at 10 years plus
- Easy accessibility with zipper doorway
- Interior floor and cabinet is a one-piece, folding aluminum component that folds flat for storage
- Collapsible poly-box, lined with disposable containment bags, is positioned beneath the toilet seat to hold the sealed Brief Relief pouches for later disposal

**Standard Components**

- One-piece collapsible floor and toilet cabinet
- 12 Pack collection poly-box and containment bags
- WSRFC relief caddy dispenser for Brief Relief supplies
- 2 vinyl field bags

**HY-TLRFK Specifications**

Dimensions	48 x 48 x 72"	(1.2 x 1.2 x 1.8 m)
Frame and Bag	87 x 19"	(2.2 x 0.4 m)
Containment Box	48 x 30 x 4"	(1.2 x 0.7 x 0.1 m)
Total Weight	110 lbs	(49.8 kg)





## Features and Benefits

- Deploys in less than two minutes, spring action hinges for ease of use.
- Flame retardant, water resistant, and mildew resistant.
- Skirted base for set-up security.
- Shelf Life: Virtually unlimited. The U.S. military rated the shelf life of the product at 10 years plus! It is 95% active after 5 years of storage.
- Opaque material provides privacy.
- Inside zipper for additional user privacy.

## Components

- 2 Privacy tents
- Includes tie-downs and stakes.
- 2 Porta Quick medium packs. Includes commode, seat, and 10 BR901 daily sanitation kits
- Each Privacy Tent comes with over-the-shoulder carry bag.
- 2 Cases of Brief Relief™ pouches (100 pouches per case)
- 2 Cases Disposa John™ pouches (100 pouches per case)
- 1 powder coated aluminum storage/transport case with recessed latches and lifting handles

## Single Kit Components

- 1 Privacy tent
- 1 Porta Quick medium packs. Includes commode, seat, and 10 BR901 daily sanitation kits
- 4 Anchoring stakes
- 4 Tie-down ropes
- 1 Carry case

## WS-BRSK Specifications

Case Dimensions	34 x 28 x 21"	(86 x 71 x 53 cm)
-----------------	---------------	-------------------

## Replacement Accessories



## CE510 Porta Quick Utility Pack

The Commode is lightweight, durable, and compact. Use it with a privacy tent or existing shelter.

## Features

- 5 Gallon basin with full-sized, soft folding seat that affixes securely to top
- All supplies fit neatly in the container which features a locking twist-on lid
- Comes with Disposa-John™ waste disposal bags, individually packaged toilet paper and antiseptic towlette
- Shelf Life: Virtually unlimited. The U.S. military rated the shelf life of the product at 10 years plus! It is 95% active after 5 years of storage.

## HY-TLBRTB TOILET-IN-A-BOX Features and Benefits

- Unique two-way lid system provides protection for during transport and access to individualized supplies in the lower compartment upon deployment
- Lower compartment contains enough supplies for 100 people for one day, plus two durable, 5-gallon emergency commodes with screw-on lids and padded seats
- Toilet/transport box made of aircraft quality aluminum of .080" 6016-T6, formed, welded, and powder-coated,
- Shelf Life: Virtually unlimited. The U.S. military rated the shelf life of the product at 10 years plus

## Components

- Powdered aluminum transport case
- White wood crafted toilet seat
- One-piece collapsible floor and toilet cabinet
- 12 Pack collection poly-box and containment bags
- 300 – BR500 Disposa-John™ solid waste pouches
- 400 – BR608 Brief Relief™ liquid waste pouches
- WSRFC relief caddy dispenser for Brief Relief supplies
- 2 vinyl field bags
- WS2070 aluminum storage/transport case

## HY-TLBRTB Specifications

Dimensions	27 x 19 x 20 in	68.5 x 48 x 51 cm
Total Weight	102 lbs	46 kg



## HY-TLBR608 Brief Relief Liquid Waste Pouch

Brief Relief™ is a reliable liquid waste relief system for individuals that can virtually travel anywhere you go.

The product can be used by both men and women and comes with a sanitary towelette for complete hygiene and clean-up. Each liquid waste disposal bag contains a proprietary blend of bio-active polymers and enzymes. The dry powdered ingredients in the bag, instantly converts urine into a deodorized gel and chemically change the molecular structure of the urine into natural water and salt.

The design of the bag prevents accidental spills by funneling liquid through a one-way valve where it comes in contact with the solidifying polymers.

Once the product has been used, the top of the 4 mil containment bag has a zip lock closing feature that additionally secures and contains all materials. The Brief Relief™ Liquid Waste Pouch is perfectly safe for disposal in any non-recyclable trash receptacle.



## HY-TLBR608 Brief Relief Solid Waste Pouch

Disposa-John™ solid and liquid waste containment pouch provides a complete and reliable solution for the containment of both liquid and solid waste defecant matter in a secure, odorless, and self-contained waste containment manner.

The Disposa-John's patented "bag-within-a-bag" design and its zip lock closure system securely contain all waste, waste bi-products, sanitary napkins, and odor. These bags hold and obscure the sights and smells of all waste/waste bi-products while the proprietary blend of polymers and enzymes instantly begin breaking down the waste and converting all liquids into a deodorized gel.

The Disposa-John pouch is really two bags in one. The inner, gray liner bag is designed to be pulled up over the toilet seat for extra sanitation. The gray bag contains the polymers and enzymes to instantly gel and neutralize the waste. Its draw string, located in the upper lip of the gray bag allows the end user the ability to tuck all contents back into the gas impervious silver bag without contact. Each kit comes with tissue paper and pre-moistened towelettes for sanitary clean-up and hygiene.

## Specifications

Dimensions	34 x 28 x 21"	(86 x 71 x 53 cm)
Weight	102 lb	(46 kg)





## Features and Benefits

- Versatile configurations – 2 person shower or 1 shower/dressing room
- Made of aircraft grade aluminum frame and durable vinyl coated polyester
- Set up in under 15 minutes without the use of tools
- Pre-plumbed for recovery of gray water
- Includes dry bag for use during shower
- Up to 6 WSDK shower systems can be set up inside a Western Shelter 1935 shelter

## Components

- 14 oz vinyl wall panel with divider panel and zippered doors
- 14 oz vinyl roof panel with clear view roof panels
- Standard aluminum base bars, eave bars, leg assemblies, and roof frame assembly
- Individually controlled shower head, shower manifold bracket and 1-each hot 10' heavy duty intake hose coupled with GHT-brass male X female connectors
- 45" x 90" Heavy-duty 30 oz. vinyl catch basin with pre-plumbed drain/ sump pump fittings
- 18 oz vinyl field bag with zipper closure and side/end carry handles
- Dry storage bag with hook-and-loop closure
- Full instruction manual. No tools required for assembly



## WA-SHWSKD Specifications

Dimensions	92.5" x 46.5" x 87"	(2.3 x 1.18 x 2.2 m)
Unit Weight	112 lb.	(50.8 kg)
Total Shipping Weight	237 lb.	(107.5 kg)
Environment	-20°F - 135°F	(-28°C to 57°C)
Sidewall Height	6'	(1.8 m)
Peak Height	87"	(2.2 m)
Packaged Dimensions*	87" x 19" x 12"	(2.2 x 0.5 x 0.3 m)
Standard Shipping Package**	92" x 19" x 20"	(2.4 x 0.5 x 0.5 m)
Berry Compliant Option	✓	

\*Packaged Dimensions include zippered frame and wall bag

\*\*Standard Shipping Package includes pallet, fits 6 double walled cardboard boxes



## Features and Benefits

- Individually controlled hot and cold water capabilities for each basin
- Designed to interconnect with multiple units
- Self contained in a rugged aluminum cabinet
- Unbreakable, scratch-resistant polycarbonate mirror per basin (not included with single basin)
- Quick disconnect primary drain.

## Components

- 16 x 16" Plexiglass mirror (up to 3)
- Universal discharge hose
- 15 x 15 x 5-1/8" Sink with 4" faucet
- 0.5" Hose, Blue Pliovic with 250 PSI (not included in single basin)
- Thermostatic valve included with single basin

## WA- SK3 Triple Basin Specifications

Dimensions	68 x 19 x 14"	(1.72 x 0.48 x 0.35 m)
Total Weight	95 lbs	(43 kg)
Cube	10.47 ft <sup>3</sup>	(0.29 m <sup>3</sup> )

## WA- SK2 Double Basin Sink Specifications

Dimensions	51 x 19 x 14"	(1.3 x 0.48 x 0.35 m)
Total Weight	75 lbs	(34 kg)
Cube	7.85 ft <sup>3</sup>	(0.22 m <sup>3</sup> )

## WA- SK1 Single Basin Sink Specifications

Dimensions	19 x 19 x 13"	(0.48 x 0.48 x 0.33 m)
Total Weight	45 lbs	(20 kg)
Cube	2.72 ft <sup>3</sup>	(0.08 m <sup>3</sup> )





## Features and Benefits

- Multi-Fuel – diesel, kerosene or JP-8 aircraft fuel
- High flow hot water delivery with +/- 1° holding temperature
- Self contained in powder-coated aluminum case
- Portable design with removable wheels and recessed lifting handles

## Components

- Water Connections: 2 Hot and 1 Cold water outlet with 1 water inlet
- 1 weather tight 120V, 60 Hz, 15 amp outlet
- 1 weather tight 120V, 60 Hz, 15 amp inlet
- 1 auxiliary 120V, 60 Hz, 15 amp connection
- Fuel Cell: 8 gallon tank with gauge
- Control Panel:
  - 2 hot water valves
  - 1 cold water valve
  - 1 water inlet valve
  - 1 water pressure/temperature gauge
  - Power on/off switch
  - Fuse holder and fuse panel light toggle switch
  - 1 weather tight 120V, 60 Hz 15 amp outlet and inlet
  - System power indicator light unit



## Specifications

Part Number	WSDWHM350		WSDWHM650	
Dimensions	48 x 24 x 26"	(121 x 61 x 66 cm)	48 x 28 x 24.5"	(121 x 71 x 63 cm)
Weight	370 lb	(168 kg)	435 lb	(197 kg)
Cube	16 ft <sup>3</sup>	(4.8 m <sup>3</sup> )	19 ft <sup>3</sup>	(5.8 m <sup>3</sup> )
Maximum Pressure	12 gallons/min	(45 L/min.)	16 gallons/min	(60.6 L/min.)
Maximum PSI	150		150	
Minimum Flow Rate	Min. 0.75 gallon/min		(2.9 L/min.)	
Fuel Options	Diesel, Kerosene and JP-8			
Burner/Coil Output	440,000 BTU (Max)			



**Features and Benefits**

- Propane fired heating module
- Provides continuous supply of hot water for any situation
- Self contained in powder-coated aluminum case for extra protection
- Pre-plumbed water distribution manifold
- Quick-connect propane hose with regulator

**Components**

- Heater
- Pre-Plumbed Water Distribution Manifold Includes 1 Cold Water Inlet, 2 Hot Water Outlets and 1 Cold Water Outlet
- Quick-Connect Propane Line With Regulator
- 45 Second Quick-Lite Primer Valve
- Powder Coated Aluminum Case

**Optional**

- Wheel Kit
- Thermostatic Control System

**WA-WHP Specifications**

Dimensions	39.5 x 22.5 x 13.5"	(1 x 0.57 x 0.3 m)
Weight	77 lbs	(35 kg)
Cube	6.94 ft <sup>3</sup>	(0.19 m <sup>3</sup> )
Output	117,000 BTU	
Rate of Rise	1.90 GPM	100° F
Flow	Min. 0.5 GPM	Max. 4.2 GPM
Water Pressure	Min. 2.0 PSI	Max. 150 PSI





## Features and Benefits

- Constructed of heavy-duty coated fabric
- Pre-plumbed with one 1" NPT main valve with cam lock fittings and two 3/4" GHT valve ports to accept the output of the AC 201-2 water purification system and feed EJ-110 distribution pump



## Specifications

Part Number TTP-150		
Capacity	150 Gallons	(567 L)
Dimensions	65 x 46 x 15"	(1.6 x 1.16 x 0.38 m)
Cube	26 ft <sup>3</sup>	(0.7 m <sup>3</sup> )
Part Number TTP-300		
Capacity	300 Gallons	(1135 L)
Dimension	95 x 70 x 18"	(2.4 x 1.7 x 0.45 m)
Cube	68 ft <sup>3</sup>	(1.9 m <sup>3</sup> )
Part Number TTP-500		
Capacity	500 Gallons	(1893 L)
Dimensions	101 x 92 x 16"	(2.56 x 2.3 x 0.4 m)
Cube	86 ft <sup>3</sup>	(2.4 m <sup>3</sup> )
Part Number TTP-1200		
Capacity	1200 Gallons	(4542 L)
Dimensions	120 x 144 x 24"	(3 x 3.6 x 0.6 m)
Cube	240 ft <sup>3</sup>	(6.8 m <sup>3</sup> )
Part Number TTP-2000		
Capacity	2000 Gallons	(7570 L)
Dimensions	190 x 162 x 18"	(4.8 x 4.1 x 0.45 m)
Cube	321 ft <sup>3</sup>	(9 m <sup>3</sup> )





## Features And Benefits

- Capture and contain gray water discharge of field equipment
- Pre-plumbed with a 1 1/4" main valve with "CAM-LOK" fittings and two 3/4" GHT valve ports, these bladders will accept the discharge of the WS-DK field shower, WS-55 Decon-Shower and the WS-SK3 field sink.
- Gray water containment tanks are clearly marked "FOR GRAY WATER SERVICE ONLY" and come with a Gray Water pipe to "CAM-LOK" adapter



## Specifications

<b>Part Number WA-WCB150G</b>		
Capacity	150 Gallons	(567 L)
Dimensions	65 x 46 x 15"	(165 x 117 x 38 cm)
Cube	26 ft <sup>3</sup>	0.7 m <sup>3</sup>
<b>Part Number WA-WCB300G</b>		
Capacity	300 Gallons	(1135 L)
Dimension	95 x 70 x 18"	(241 x 178 x 46 cm)
Cube	68 ft <sup>3</sup>	1.9 m <sup>3</sup>
<b>Part Number WA-WCB500G</b>		
Capacity	500 Gallons	(1893 L)
Dimensions	101 x 92 x 16"	(257 x 234 x 40 cm)
Cube	86 ft <sup>3</sup>	2.4 m <sup>3</sup>
<b>Part Number WA-WCB1200G</b>		
Capacity	1200 Gallons	(4542 L)
Dimensions	120 x 144 x 24"	(305 x 366 x 61 cm)
Cube	240 ft <sup>3</sup>	6.8 m <sup>3</sup>
<b>Part Number WA-WCB2000G</b>		
Capacity	2000 Gallons	(7570 L)
Dimensions	190 x 162 x 18"	(483 x 411 x 46 cm)
Cube	321 ft <sup>3</sup>	9 m <sup>3</sup>



## Features and Benefits

- Sink cabinet and self-contained shipping container
- Deep sink with hands free goose neck faucet
- Built in water pump and heater
- Foot pump
- Hands free paper towel dispenser with paper and spare batteries
- Hands free soap dispenser and one gallon of soap
- Scrub brush
- Collapsible trash can with trash bag liners
- Pre-packaged hand scrubs
- Two 5 gallon sceptor cans: Potable (blue) non-potable (tan)
- 25' power cord

## WA-SK1SUR Specifications

<b>Dimensions</b>	48 x 28 x 22.5"	(121.9 x 71.1 x 57.15 cm)	
<b>Electrical Systems</b>	30 AMP - 120/220 V	Optional 20/30 AMP 240/110 V	
<b>Water Supplies</b>	Storage bladder	City water	Water delivery vehicle
<b>Water Heater Rate of Rise</b>	At 0.5gpm – 41°	At 0.75gpm – 28°	At 1.0gpm – 21°
<b>Safety Systems</b>	Flow switch	Manual thermal cut-out	



## Features and Benefits

- Realize all the advantages of a rigid-framed relay/dump tank with the mobility and compact packaging of an unsupported freestanding tank
- No spill over, no rolling
- Structural integrity on flat or uneven ground
- Quality components and interchangeable parts
- Add valuable capacity to any response without the expensive apparatus modifications necessary to transport a traditional rigid tank
- Light, yet durable and can be fully functional in minutes
- Five models offer capacities from 1,000 to 3,000 gallons, each plumbed with a standard 3" threaded flange with plug and packaged in a compact field bag

## Ground Covers

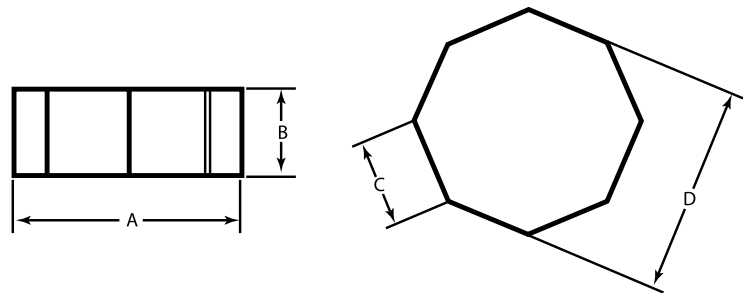
WA-WCST61000	Ground Cover for WA-WCST1000
WA-WCST61500	Ground Cover for WA-WCST1500
WA-WCST62000	Ground Cover for WA-WCST2000
WA-WCST62500	Ground Cover for WA-WCST2500
WA-WCST63000	Ground Cover for WA-WCST3000

## Storage/Transport Dimensions

MODEL	WEIGHT	LENGTH	WIDTH	HEIGHT
WA-WCST 1000	74 lbs	39"	16"	14"
WA-WCST 1500	90 lbs	49"	16"	14"
WA-WCST2000	101 lbs	56"	16"	14"
WA-WCST2500	110 lbs	63"	16"	14"
WA-WCST3000	121 lbs	69"	16"	14"

## Capacities and Assembled Dimensions

MODEL	Gallons	A	B	C	D
WA-WCST1000	1,000	100"	33"	38"	98"
WA-WCST1500	1,500	136"	33"	48"	122"
WA-WCST2000	2,000	150"	33"	55"	139"
WA-WCST2500	2,500	169"	33"	62"	156"
WA-WCST3000	3,000	185"	33"	68"	170"





## Features and Benefits

- Supports up to 10 person shower system
- Contains potable and gray water bladders
- Hot, cold and gray hoses
- Many common adapters

## Components

### Potable Items

- 1 – EJ110 primary water distribution pump
- 1 – 1PVC-36DMC 1" x 36" PVC suction hose coupled double 1" male poly-cam connection
- 1 – 1PVC-12MCMK 1" x 12" PVC suction hose coupled 1" male poly-cam x 1" male king nipple
- 1 – TTP-500 500 gallon potable water bladder kit
- 2 – 0.50 x 25 GHTH 25' hot water discharge hose coupled male x female GHT – red
- 2 – 0.50 x 25 GHTC 25' cold water discharge hose coupled male x female GHT – blue
- 2 – 0.50 x 72-2W-HWDH 72" heavy-duty, hot water discharge hose with 2 male – GHT outlets to accommodate a continuous run of the WS-D shower

### Gray Water Collection

- 1 – TTG-500 500 gallon gray water bladder kit
- 1 – PTC-12A-GWA gray water bladder adapter
- 2 – DDP-550PCSB sump pump kit with poly-case, switch box with indicator light, and integrated timer for automatic shut-off of pump
- 2 – 155113 GHT – female low-liner strainer
- 2 – 0.50 x 20GHT 20" suction hose coupled male x female GHT – black
- 2 – 0.50 x 36GHT 36" suction hose coupled male x female GHT – black
- 2 – 0.50 x 25 GHTG 25' gray water discharge hose coupled male x female GHT – black
- 2 – 0.50 x 72 GHT 72" gray water discharge hose coupled male x female GHT – black
- 2 – 0.50 x 84-2W-GWDH 84" heavy-duty gray water discharge hose with one 3/4" male/female GHT inlet and one 3/4" male GHT outlet to accommodate a continuous run of the WS-D shower system gray water collection process from the DDP550PC-SB sump pump kits to the TTG500 gray water bladder –black

## WDK-10SK/10SKM Specifications

Dimensions	34 x 28 x 21"	(86 x 71 x 54 cm)
Weight	195 lb.	(88.5 kg)
Cube	11.5 ft <sup>3</sup>	(3.5 m <sup>3</sup> )

### M80 Military Water Heater Adapters (WDK-10SKM)

- 1 – ST.38-QCA Snap-Tite BPHN6-6F BPHN6/6M inline tee adapter quickconnect with hot water GH discharge valve
- 1 – ST.38-QCEA Snap-tite BPHN6-6F quick-connect end adapter with hot water GHT discharge valve
- 1 – M80.IPTC M80 discharge valve and adapter assembly

### Adapters and Fittings

- 1 – ACC500GH4V 3/4" GHT 4 –way manifold with shut-off valves
- 2 – 75CVA 3/4" GHT check valve assembly
- 2 – 75SV 3/4" GHT shut-off valve
- 2 – 75WV.S 3/4" GHT Wyes with shut off valves
- 2 – 75DM 3/4" GHT double male adapter
- 2 – #75DF-SW 3/4" GHT double female swivel adapter
- 2 – 75F-CCA 3/4" GHT cap and chain assembly with gasket
- 12 – 75SG 3/4" GHT rubber swivel gaskets
- 2 – WDK-FBV cordura fittings bag with hook and loop closure
- 1 – WDK-NAB nylon, 2 – compartment adapter bag with strap closure and shoulder strap



## Features and Benefits

- Supports up to 30 person shower system
- Contains potable and gray water bladders
- Hot, cold and gray hoses
- Many common adapters
- WS-2090 powder-coated aluminum storage case with recessed handles

## Components

### Potable Items

- 1 – EJ110 primary water distribution pump
- 1 – 1PVC-36DMC 1" x 36" PVC suction hose coupled double 1" male poly-cam connection
- 1 – 1PVC-12MCMK 1" x 12" PVC suction hose coupled 1" male poly-cam x 1" male king nipple
- 1 – TTP-500 500 gallon potable water bladder kit
- 2 – 0.50 x 25 GHTH 25' hot water discharge hose coupled male x female GHT – red
- 2 – 0.50 x 25 GHTC 25' cold water discharge hose coupled male x female GHT – blue
- 4 – 0.50 x 72-2W-HWDH 72" heavy-duty, hot water discharge hose with 2 male – GHT outlets to accommodate a continuous run of the WS-D shower

### Gray Water Collection

- 1 – TTG-500 500 gallon gray water bladder kit
- 1 – PTC-12A-GWA gray water bladder adapter inner strainer
- 4 – 0.50 x 20GHT 20" suction hose coupled male x female GHT – black
- 4 – 0.50 x 36GHT 36" suction hose coupled male x female GHT – black
- 2 – 0.50 x 25 GHTG 25' gray water discharge hose coupled male x female GHT – black
- 4 – 0.50 x 72 GHT 72" gray water discharge hose coupled male x female GHT – black
- 2 – 0.50 x 84-2W-6WDH 84" heavy-duty gray water discharge hose with one 3/4" male/female GHT inlet and one 3/4" male GHT outlet to accommodate a continuous run of the WS-D shower system gray water collection process from the DDP550PC-SB sump pump kits to the TTG500 gray water bladder – black

## WA-WDK30/30M Specifications

Dimensions	60 x 21 x 22"	(152 x 53 x 56cm)
Weight	275 lb.	(124.7 kg)
Cube	16 ft <sup>3</sup>	(0.45 m <sup>3</sup> )

### M80 Military Water Heater Adapters (WDK-10SKM)

- 1 – ST.38-QCA Snap-Tite BPHN6-6F BPHN6/6M inline tee adapter quickconnect with hot water GHT discharge valve
- 1 – ST.38-QCEA Snap-tite BPHN6-6F quick-connect end adapter with hot water GHT discharge valve
- 1 – M80.IPTC M80 discharge valve and adapter assembly

### Adapters and Fittings

- 1 – ACC5006H4V 3/4" GHT 4 – way manifold with shut-off valves
- 4 – 75CVA 3/4" GHT check valve assembly
- 4 – 75SV 3/4" GHT shut-off valve
- 4 – 75WV.S 3/4" GHT Wyes with shut off valves
- 4 – 75DM 3/4" GHT double male adapter
- 4 – #75DF-SW 3/4" GHT double female swivel adapter
- 4 – 75F-CCA 3/4" GHT cap and chain assembly with gasket
- 12 – 75SG 3/4" GHT rubber swivel gaskets
- 2 – WDK-FBV cordura fittings bag with hook and loop closure
- 1 – WDK-NAB nylon, 2 – compartment adapter bag with strap closure and shoulder strap



## Features and Benefits

- Provides primary water distribution throughout shelter system
- Automatically turns on when line pressure drops below 26 PSI
- Delivers 16 GPM
- Manifold to pump connection provides two 3/4" GHT output valve

## Specifications

Dimensions	21 x 9.5 x 17.25"	(53.3 x 24 x 43.8cm)
Weight	32 lbs"	(14.5 kg)
Cube	1.99 ft <sup>3</sup>	(0.05 m <sup>3</sup> )





## Features and Benefits

- Self-priming pump evacuates water from shower basin and discharges to appropriate collection device
- Specially designed suction hose and strainer keeps water levels in basin below 1/8 inch
- Pump has "run-dry" capabilities and will not be damaged if water source is shut down

## DDP550 Specifications

Pump Dimensions	10 x 7 x 7"	(50.8 x 22.8 x 25.4 cm)
Pump Weight	6.5 lbs	(6.6 kg)
Storage Case Dimensions	20 x 10 x 9"	(30.4 x 20.3 x 8.9 cm)
Kit Weight	11 lbs.	(2.2 kg)
Input Port	3/4" female GHT	
Discharge Port	3/4" male GHT	
Open Flow	6 GPM	
Switch	60 PSI	
Amps	2.4 @ 60 PSI	



## Features and Benefits

- Kit includes tools and adapters to operate from any standard fire hydrant, fire/water truck or standard garden hose connection
- Manifold is constructed of high quality aluminum, powder coated yellow for visibility and years of corrosion free protection
- Comes in an easy to carry protective case

## WS4SWM Specifications

Kit Dimensions	20 x 9 10"	(50.8 x 22.8 x 25.4 cm)
Kit Weight	15 lbs.	(6.6 kg)
Manifold Dimensions	12 x 8 x 3.5"	(30.4 x 20.3 x 8.9 cm)
Manifold Weight	5 lbs	(2.2 kg)
Temperature	-10° to 150°F	-23.3° to 65.5° C)
Rating	300 PSI W.O.G.	
Input and Output Ports	3/4" GHT	



## Features and Benefits

- Compact to store and handle
- Easily assembled without tools
- Fully-functional with or without privacy walls
- Provides maximum coverage without large volume of water

## HZ-DS1 Specifications

Dimensions	60 x 60 x 84"	(18.3 x 18.3 x 25.6 m)
Packaged Dimensions	64 x 14 x 21"	(19.5 x 4.3 x 6.4 m)
Weight	102 lbs	(46.3 kg)
Speed	3.5 GPM (gallons per minute) @ 50 PSI 4.5 GPM (gallons per minute) @ 75 PSI	

## Components

- Articulated mainframe and roof truss: constructed of bright plated thin wall steel with yellow powder coated finish
- 5' x 5' x 6" single-compartment, freestanding flexible fabric primary containment pool with 3/4" GHT drain fittings
- Complete fabric frame cover with two zippered entrance/exit doors
- Four unique, horizontal, magnet mounted spray nozzles can be placed at any height on the shower frame or individually pulled off to serve as a hand held nozzle. One fixed, wide cone overhead nozzle
- Supply side pigtail with master shut-off
- Rugged, heavy duty, zippered carry bag
- Optional 3' x 3' Elevated Flexible Matting • Optional 110V Electric Sump Pump Kit with protective case
- Primary containment basin: freestanding flexible fabric
- Frame cover: 14 oz. reinforced vinyl
- Roof cover: 14 oz. reinforced vinyl, semi-clear skylight
- Cover color: Desert Sand







Shown here with optional equipment

**Features and Benefits**

- Compact to store and handle
- Easily assembled without tools
- Fully-functional with or without privacy walls
- Provides maximum coverage without large volume of water
- Two center section walls with privacy curtains to separate shower from undress and redress areas

**HZ-D53 Specifications**

Dimensions	126 x 64 x 96"	(3.2 x 1.6 x 2.4 m)
Inside wash down area	42 x 60 x 84"	(12.8 x 18.3 x 25.6 m)
Inside "undress" area	42 x 60 x 84"	(12.8 x 18.3 x 25.6 m)
Inside "redress" area	42 x 60 x 84"	(12.8 x 18.3 x 25.6 m)
Packaged Dimensions	64 x 14 x 21"	(19.5 x 4.3 x 6.4 m)
Weight	156 lbs	(70.8 kg)
Speed	4 GPM (gallons per minute) @ 50 PSI	5.5 GPM (gallons per minute) @ 75 PSI

**Components**

- Articulated mainframe and roof truss constructed of bright plated, thin wall steel with yellow powder coated finish
- 5' x 10' x 6" three-compartment, freestanding, flexible fabric primary containment pool with 3/4" GHT drain fittings in the center shower
- 14 oz. reinforced vinyl fabric frame cover with zippered entrance/exit doors and removable privacy curtains
- Roof cover: 14 oz. reinforced vinyl semi-clear skylight
- Six stainless steel, horizontal and vertical, .75 GPM low volume nozzles
- One .75 GPM hand held, pistol grip sprayer
- Supply side pigtail with master shutoff
- Two heavy duty, zippered carry bags
- Optional 3' x 3' Elevated Flexible Matting
- Optional 110V Electric Sump Pump Kit with protective case
- Cover Color: Desert Sand



Shown here with optional equipment

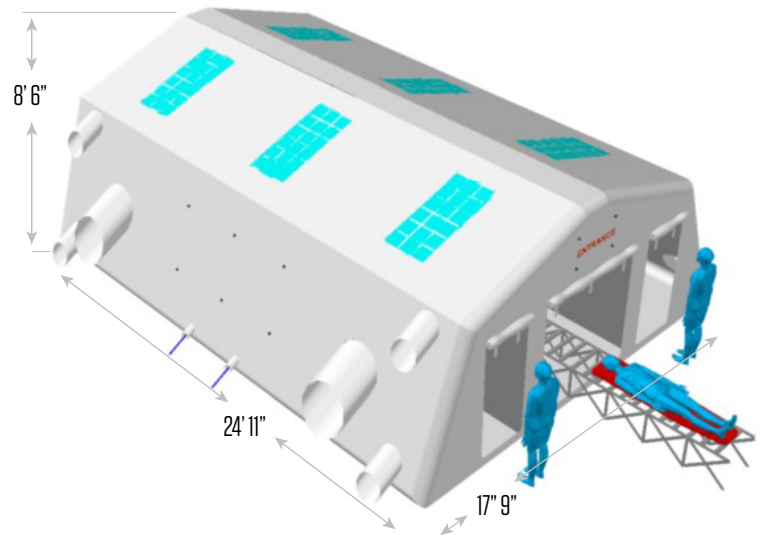


## Features and Benefits

- Fast deployment, ready for use in 4 minutes
- 3 lanes handle 3 parallel lines of casualties simultaneously
- 4 stations, 1 shelter: undress, detergent shower, rinse shower and redress
- Dry undress and redress areas with overlapping curtains for privacy
- Shower stations located above a waste water storage basin with a raised grid floor safely catches gray water
- Outer lanes have 3 fixed spray nozzles per detergent and rinse station
- Center lane has 2 spray nozzle guns on a coiled hose for soaping and rinsing
- Shower groups connect to water supply via quick connection couplings
- Waste water storage basin holds over 250 gallon/1000 liters, pump removes excess water
- PVC coated canopy and divider curtains remove for easy cleaning or replacement
- Undress stations have a pass-through chute for clothing
- 4 skylights eliminate need for interior lighting
- All air beams, cover and floor are constructed of heavy-duty PVC coated polyester, high-frequency welded for strength and durability

## Components

- High-pressure inflation valve kit
- Waste water pump
- 11 plastic grid panels
- Protective ground cover
- Anchoring kit
- Repair kit

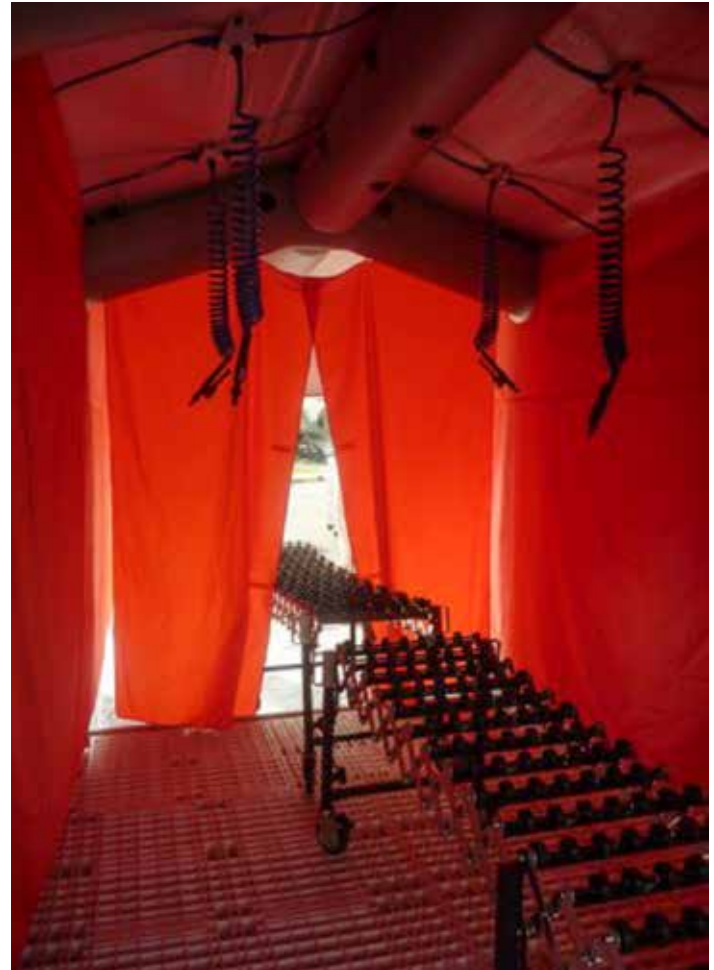


## HZ-DS3LSII-4 Specifications

<b>Shelter Dimensions</b>	24'11" x 17'9" x 8'6"	(7.6 x 5.4 x 2.6 m)
Door Dimensions	3'11" x 6'1"	(1 x 2.1 m)
<b>Undress Dimensions</b>	98 x 59"	(250 x 150 cm)
Detergent Dimensions	49" x 59"	125 x 150 cm
Rinse Dimensions	49" x 59"	(125 x 150 cm)
Redress Dimensions	98" x 59"	(250 x 150 cm)
<b>Airframe Diameter</b>	14" )	(35 cm)
<b>Working Pressure</b>	4.4 psi	(0.3 bar)
<b>Shelter Weight</b>	353 lbs	(160 kg)
Grid Panel Weight	170 lbs	(1.8m)
Pump Weight	13 lbs	(6 kg)
Inflator Weight	26 lbs	(12 kg)
<b>Packaged Dimensions</b>		
Shelter	28 x 39 x 47"	(70 x 100 x 120 cm)
Grid	31 x 47 x 47"	(80 x 120 x 120 cm)
<b>Water Requirements</b>	23 gal per min at 58 psi	(85 liter per min at 4 bar)
<b>Capacity</b>	80 people per hour	

## Recommended Support Systems

- Hot Water Generator
- Detergent Injector
- Water Ballast Tanks
- Stretcher Conveyor
- Lighting





## Standard Components

- GVWR: 12000
- Overall Width: 102"
- Overall Height: 104"
- Platform Height: 24"
- Frame: 6" I-Beam
- Floor Cross members: 16" o/c
- Wall Cross members: 16" o/c
- Rear Opening: 92" w x 72" h
- Interior Height: 80"
- Interior Sidewall Height: 72"
- Interior Width: 96" (79")
- Bolt Pattern: 8 Lug on 6.5"
- Tires: ST235/80R16 "E" 16" Radial
- Brakes: All Axles
- Axles: 6,000 Lbs. Heavy Duty
- Hitch: 2 5/16" A-Frame
- Hitch Weight: 350
- Hitch Height: 18"
- Jack: 2k A-Frame
- RV Side Door (36")
- 24" Stone Guard
- Roof Vent
- ED Dome Light and Switch
- Chrome Hub Covers
- Deluxe License Plate Bracket
- 3/4" Plywood Floor
- 3/8" Plywood Walls
- Inter wall carpet
- Tube Steel Roof Bows and Sidewalls
- Quick Lube Hubs w/ Grease Caps
- LED Corner Post Taillights
- Welded Safety Chains
- .080 Extruded Aluminum Roof Wraps
- Metallic .030 Beveled Aluminum Exterior
- Treated Undercarriage
- Radial Tires
- Galvanized Roof
- Dust Resistant Sidewalls on all I-Beam Chassis Trailers
- Z-Tec Undercoating
- LED Clearance Lights
- Jack Sand Pad
- 6,000 Lbs. Capacity Heavy Duty Rear Ramp
- Recessed E-Track with trim
- Transition Ramps
- Light Gray interior wall carpet
- .080 aluminum spring cover powder coated white
- .080 aluminum wall to ceiling transition soffits
- 12VDC LED rear load lights X2 wired to a rear mounted switch
- Divider Wall System (Drop down), three-section translucent vinyl drape with roll up capability and securing storage latches.
- Lower 12" black skid rail polyurethane
- Bootable to a WS-1935 shelter
- Interior ceiling finished in white vinyl panels
- E-Track, to be welded to the frame of the trailer. E-Track Full Length per-side (excluding door). Placement of E-Track is as follows:
  - a. Side Wall E-Track 2 Rows per side full length of the trailer Centered between floors and ceiling. 36" apart, trimmed out with 1/8" aluminum angle trim.
  - b. Floor E-Track 2 Rows Full Length of the trailer. Centered between side walls. 36" apart, trimmed out with 1/8" aluminum angle.

## GK24ST Specifications

Length	288"	(7.3 m)
Width	102"	(2.5 m)
Height	104"	(2.64 m)
Platform Height	24"	(0.6 m)
Rear Door Ramp Height	84"	(2.1 m)
Rear Opening	92 x 72"	(2.3 x 1.8 m)
Interior Height	80"	(2 m)
Interior Sidewall Height	72"	(1.8 m)
Interior Width	96"	(2.4 m)
Frame	6" I-Beam	(15.2 cm I-Beam)
Floor Cross Members	16" o/c	(40 cm)
Wall Cross Members	16" o/c	(40 cm)
GVWR	12,000 lbs	(5,443 kg)
Axles	6,000 lbs Heavy Duty	(2721 kg Heavy Duty)
Hitch	2 5/16" A-Frame	(5.8 cm A-Frame)
Hitch Weight	350 lbs	(158.7 kg)
Hitch Height	18"	(45.7 cm)
RV Side Door	36"	(91.4 cm)

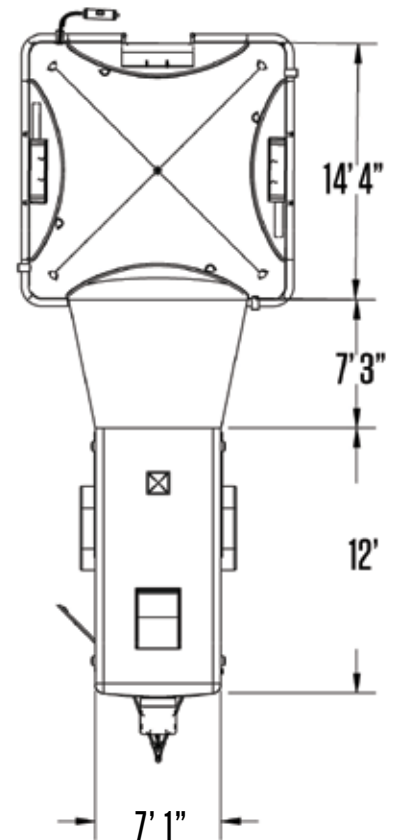


## Features and Benefits

- Completely washable interior surface that simplifies decontamination and sterilization
- Custom medical grade interior cabinets feature plenty of space for medical supplies
- Trailer is suited for multiple environments with a 15,000 BTU air conditioner and optional 6,000 BTU heater
- Custom fabricated thermal curtains maintain climate control while the rear door is open, while also providing privacy for medical staff
- Sentry Airframe connects to the light-weight trailer with an included boot
- Additional Sentry units can be attached utilizing the Sentry Zip-In Vestibule

## Trailer Specifications

DIMENSIONS	12 x 7 x 9.5'	(3.6 x 2.1 x 2.9 m)	
WEIGHT	2,800 lbs	(1,270 kg)	
EXTERIOR	INTERIOR	ELECTRICAL	LIGHTING
Grey Paint With Black Diamond Plate	Front Overhead Cabinet (Dove Grey Laminate)	30A Electrical Inlet	110V Interior Led Panels
Removable Tongue	Front Command Desk (Oiled Soapstone Laminate)	30A Power Supply	12V Interior Led Puck Lights (6X)
Scissor Jack 4X	All Cabinets Have Dry Erase Laminate Doors	15,000 BTU HVAC	12V Whelen Red Emergency Lights
Road Side Ladder 1X2 Steel Pc Black	White Vinyl Ceiling	110V 15A Receptacle Interior (6X)	12V Whelen M6 Exterior Scene Lights (4X)
Roof Rack 1X2 Steel Pc Black	Charcoal Carpet Lower Wall Covering	110V 15A Receptacle Exterior (2X)	12V Cargo Ramp Load Lights
Black Manual Case Awning	Dry Erase Laminate Upper Wall Covering	12V Receptacle With USB Charger & Volt Meter	
Spare Tire With Vinyl Cover	Vertical E-Track 36" Above Floor	Mini Fridge With RV Latch	
Caster Wheel For Tongue Jack	6" Skid Rail Cove Base	50" Exterior Mounted Tv	
	Black Rubber Coin Flooring (Trailer & Ramp)	30A 30' Shore Cord	
	Transition Ramp 2X		
	Mini Fridge		
	Vinyl Curtain 2X		
	Floor Mounted D-Rings (4X)		





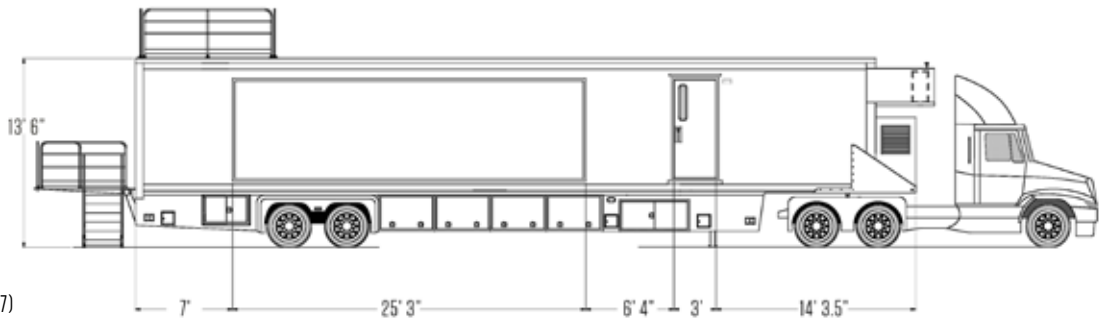
## Features and Benefits

- Three 44' deep expansions expand the footprint of the 53' trailer for a usable 630 ft<sup>2</sup>
- Operating room with patient monitoring and procedure table
- Rear 4' wide roll-up door for easy patient entry
- Seven patient bed each with oxygen, medical air and vacuum, in addition to overhead storage cabinets and privacy curtains. Fully adjustable from lying to seated position
- Centrally located staff workstation/intake area
- Lab area with storage cabinets
- Transform treatment bed to nurse station by utilizing wall-mounted workstation
- Medical gas monitoring system, control panels on interior rear wall for convenience
- Staff washroom and surgical scrub area
- On-board fresh water, waste and diesel fuel tanks
- Pre-cabled for data/phone and terminals
- Rear lift gate doubles as an entry platform
- 64 ft<sup>2</sup> observation deck with folding ladder access
- On board diesel generator with 200 gal fuel tank and 350 amp service output supports additional power needs or backup



## Components

- 53' Trailer With Three Slide-Outs
- Manual Leveling System
- Dual On Board Vacuum Pumps
- Medical Exam Rooms with Furnishings (7)
- Operating Room and Furnishings
- Anesthesia Cart
- Crash Cart
- Staff Restroom
- Lab Area with Foot Controlled Scrub Sink
- 5 Ton Hvac (2)
- Wall Mounted Medical Air, Oxygen And Vacuum (7)



## TR-TRMETTS Specifications

<b>Usable Area</b>	630 ft <sup>2</sup> (58.5m <sup>2</sup> )		
<b>Total Weight</b>	65,000 lbs GVWR (29.4 M ton)		
<b>Dimensions (Trailer Body Less Gen Set)</b>			
Exterior	4' x 17' 10" (16 x 2.6 x 4 m)		
Interior	52' 6' x 8'3" x 9' 2" (16 x 2.5 x 2.9 m)		
Street Side Expansion 1	4' x 17' 10"	(0.9 x 5.4 m)	12 V Hydraulic
Street Side Expansion 2	4' x 11' 11"	(0.9 x 3.6 m)	12 V Hydraulic
Curb Side Expansion	24' x 11"	(7.3 x 0.3 m)	12 V Hydraulic
<b>Floor</b>	1.3750" Laminated Wood Floor/Covered By Raised Computer Floor 2 x 2'		
<b>Electrical</b>			
AC Main Panel	1-Main 200A, 3-Phase Molded Breaker Box, 120V		
AC Main Transfer Switch	315A, 4-Pole/3 Position Generator to Shore Power		
12 V Main Panel	15A Illuminated Switches/Marine Grade ATC Fuse Panel		
<b>Shore Power</b>			
Shore Power 1	Exterior 200A 208VAC 3 Phase	10' Pigtail Cable	
Shore Power 2	Exterior Isolated 20A-120V	Motor-Based	
<b>Interior Lighting</b>			
32 Watt U-tube	2 X 2' Fluorescent Fixtures Recessed (10)		
Surface Mounted Fluorescent Light In Expansions (9)			
Battery Backup Emergency Light Mounted at Exits (2)			
12V Lights mounted in suspended ceiling grid (6)			
<b>Exterior Lighting</b> Operated at 12V Main Panel			
Trailer Running Lights	12V Generator Pedestal Mounted Operating Light		
12V 50W Halogen Load/Operating Lights Recessed in Lower Skirt (2)			
Entry Door Lights	2 - 12V Amber	1 per Door	
<b>ECU/HVAC</b>			
2 A/C Units, upper deck	56,000 BTU 11 kW Electric Heat Strip		
Concealed and Balance Ducting to Distribute Airflow			
Electronic Thermostat with Digital Readout			
HVAC Operates on either Generator or Shoreline Power			
<b>Oxygen, Vacuum/Suction and Compressed Air (10 Stations)</b>			
Medical Oxygen Outlet (2)	Compressed Air Connection		
Vacuum/Suction Connections (2)	H Cylinder Tanks and Rack		

<b>Curbside Doors</b>		
36" Insulated Outward Swing Door With Locking Hardware		
Recessed, Retractable Non-Skid aluminum Platform Beneath Door		
Detachable Aluminum Non-Skid Stairs		
Stainless Steel Stair Railings		
<b>Diesel Generator</b>		
100 kW mounted on front exterior wall		
Thermostat Regulated Block Heater		
200 Gal Fuel Storage Outside Trailer Body	12V Fuel Gauge	
<b>Under Belly Boxes</b>		
36" x 31" Full Width Storage Compartments (4)	Slide Out, 1000 lb Rating	
39" x 24" x 36" Storage Compartments (2)	Swing Doors	
<b>Exam Tables</b>		
Custom Built Exam Table with Storage Space and Table Mounted Lamp (8)		
Custom Built Exam Table/X-Ray Exam Table (1)		
Ritter 230 Powered Procedure Table (1)		
<b>Restroom</b>	Flush toilet with 30 Gal Black Tank	
<b>Electrical Outlets</b>	GFCI Protected	
<b>Plumbing</b>		
Stainless Steel Single Basin Sink (2)		
60 Gal Fresh Water Tank, 12 V Pump	65 Gal Gray Tank	
<b>Exam Room (7)</b>		
Integrated Wall Exam System	Instrument Cart	Retractable Privacy Curtain
<b>Operating Room</b>		
Ritter 230 Powered Procedure Table	Centurion Surgical Light	
Welch Allyn 767 Integrated Wall System	Wolf X-Ray Illuminator	
Space Lab Patient Monitor	Caster leg stool	
Stainless Steel Mayo Stand	Workstation with cabinets	
Walls and Floor with Bio-Guard Finish	HVAC HEPA Filters	
<b>Lab Area</b>		
Double Stainless Steel Scrub Sink (Foot Controls)	Gooseneck Faucet	
So-Lo Medical Refrigerators (2)	Storage Cabinets	
<b>Intake Area</b>		
5000 lb Capacity Lift	Stainless Steel Side Rails and Stairs	
4' Roll Up Door, Push Button Controls	5' Auto Awning	
<b>Observation Platform</b>	8' x 8' diamond plated	Removable Ladder

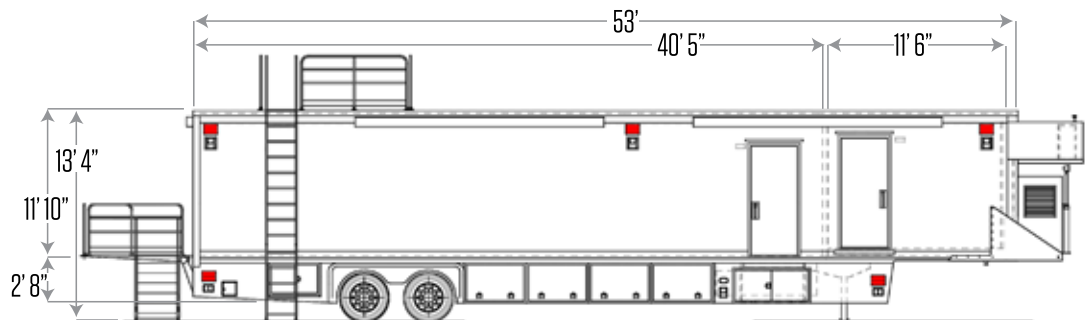


## Features and Benefits

- 3,826 ft<sup>2</sup> turn-key system comes completely contained within a 53 ft trailer
- Front 12' command center includes 42" touch screen monitor, built-in appliances and dry erase board walls, cabinets and computer floor
- Security cameras in all four corners of trailer with command center monitor and DVD
- Onboard mounted 100kW genset and shore power cam-lok cords for 350 amp power supply
- Two 5 ton HVAC units with air supply ducts provide heating and cooling, T-grid ceiling with HVAC supply ducts
- Two 36" insulated outward doors with retractable locking aluminum platforms allow for full door movement
- Each platform is secured with stainless steel railings stored in the belly boxes of the trailer
- Additional 36" door on rear of trailer for easy access
- Lift gate system designed to provide safe and smooth loading and off loading, operated with remote control and floor foot pedals.
- 64 ft<sup>2</sup> observation deck with folding ladder access
- Two 16' awnings installed over the entry doors with an additional 8' awning installed over the lift gate provide shelter from the elements

## Components

- 53' Trailer
- Manual leveling system
- 5 Ton HVAC (2)
- 100kW genset
- 42" touch screen monitor
- 4 Security cameras and command center monitor
- 12 Bunk beds





## TR-TRMERTS Specifications

<b>Usable Area</b>	3,826 ft <sup>2</sup>	(355.4 m <sup>2</sup> )
<b>Dry Weight</b>	36,000 lbs	(16,329 kg)
<b>Full Weight</b>	50,000 lbs	(22,679 kg)
<b>Capacity</b>	65,000 GVWR	
<b>Dimensions (Trailer Body Less Gen Set)</b>		
Exterior	53' x 8'5" x 13'6"	(16 x 2.4 x 4.1 m)
Interior	52'6" x 8'3" x 9'2"	(16 x 2.5 x 2.8 m)
<b>Command and Control Room</b>		
Dimensions	10'6" x 8'3"	(3.2 x 2.5 m)
GFI electrical outlets (20)		
L shaped desk	8' x 8' x 24"	(2.4 x 2.4 x 0.6 m)
Cabinets	2 adj. shelves	18 x 16" (0.45 x 0.4 m)
LCD Monitor	42" flat screen, wireless board, video terminal, touch screen	
Floor	1.3750" Laminated Wood Floor	
<b>Electrical</b>		
AC Main Panel	1-Main 200A, 3-Phase Molded Breaker Box, 120V	
AC Main Transfer Switch	315A, 4-Pole/3 Position Generator to Shore Power	
12 V Main Panel	15A Illuminated Switches/Marine Grade ATC Fuse Panel	
<b>Shore Power</b>		
Shore Power 1	Exterior 200A 208VAC 3 Phase	10' Pigtail Cable
Shore Power 2	Exterior Isolated 20A-120V	Motor-Based
<b>Interior Lighting</b>		
32 Watt U-tube	2 X 2' Fluorescent Fixtures Recessed (10)	
40 Watt red incandescent light recessed mounted in suspended ceiling grid (10)		
Battery Backup Emergency Light Mounted at Exits (2)		
12V Lights mounted in suspended ceiling grid (6)		
<b>Exterior Lighting</b> Operated at 12V Main Panel		
Trailer Running Lights		
12V 50W Halogen Load/Operating Lights	6 per side/3 upper, 3 lower	
12V Generator Pedestal Mounted Operating Light		
Entry Door Lights	3 - 12V Amber	1 per Door
12V Generator pedestal mounted operating light		
Portable scene lights	110V/1000W removable tripod lights (2)	

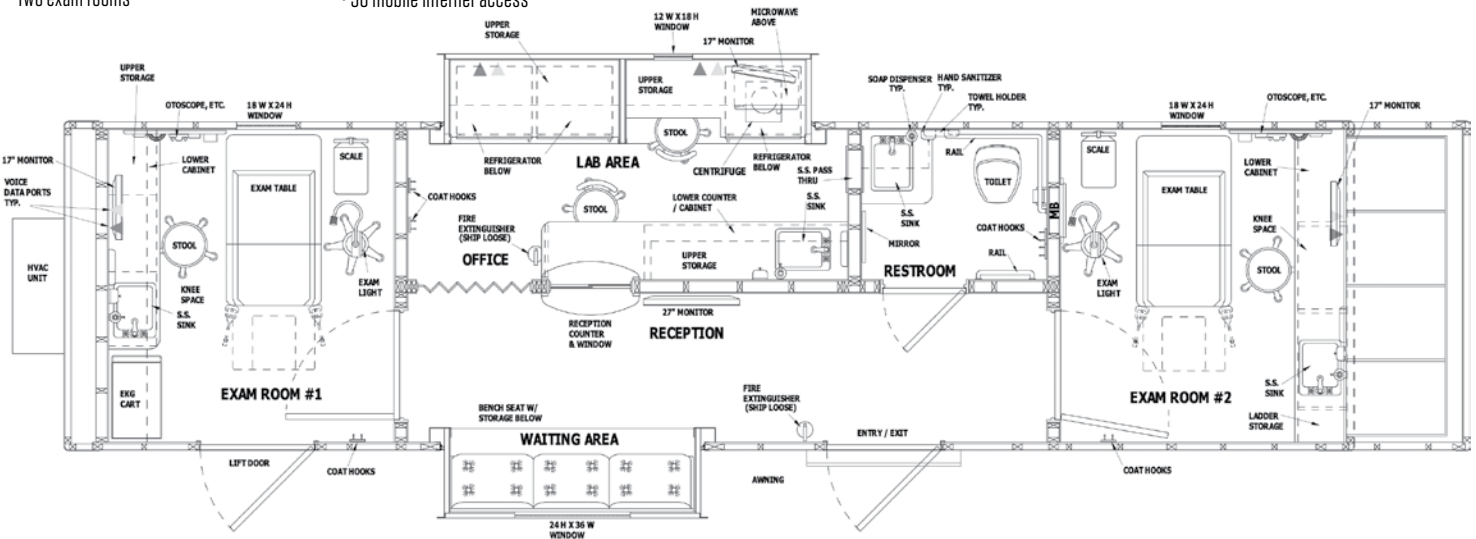
110V/500W load lights rear (2)		
Red super LED emergency lights (5 per side)		
Yellow super LED emergency lights (2)		
<b>ECU/HVAC</b>		
2 A/C Units, upper deck	42,000 BTU 11 kW Electric Heat Strip	
Concealed and Balance Ducting to Distribute Airflow		
Electronic Thermostat with Digital Readout		
HVAC Operates on either Generator or Shoreline Power		
<b>Diesel Generator</b>		
100 kW mounted on front exterior wall		
Thermostat Regulated Block Heater		
200 Gal Fuel Storage Outside Trailer Body	12V Fuel Gauge	
<b>Curbside Doors</b>		
36" Insulated Outward Swing Door With Locking Hardware (2) (0.9 m)		
Recessed, Retractable Non-Skid aluminum Platform Beneath Door		
Detachable Aluminum Non-Skid Stairs		
Stainless Steel Stair Railings		
<b>Rear Doors</b>	3' x 6'8"	(0.9 x 2 m)
<b>Life Gate/Platform</b>		
Payload rating of 5,500 lbs	(2,494 kg)	
7,800 in <sup>2</sup> usable area	(5 m <sup>2</sup> )	
5000 lb Capacity Lift (2267.9 kg)	Stainless Steel Side Rails and Stairs	
4' Roll Up Door, Push Button Control (1.2 m)	5' Auto Awning (1.5 m)	
<b>Awnings</b> electric	(2) 16' and (1) 8'	(2) 4.8m and (1) 2.4 m
<b>Under Belly Boxes</b> Full Width Storage Compartments (4)		
36" x 31" (0.9 x 0.7 m)	Slide Out, 1000 lb Rating (453.5 kg)	
39" x 24" x 36" (0.9 x 0.6 x 0.9 m)	(Storage Compartments (2) Swing Doors	
<b>Electrical Outlets</b> GFCI Protected		
<b>Interior Shelving</b> Anodized aluminum	Supports (40) 24 x 20 x 20" bins	
<b>Observation Platform</b> diamond plated Removable Ladder		
Dimensions	8 x 8'	(2.4 x 2.4m)



A self-contained system, this mobile health care facility is perfect for health initiatives that focus on community outreach. The system was built to take health care into rural environments and promote health maintenance. This van system allows for a completely mobile environment with all of the functionality of a stand-alone health clinic.

## Standard Features

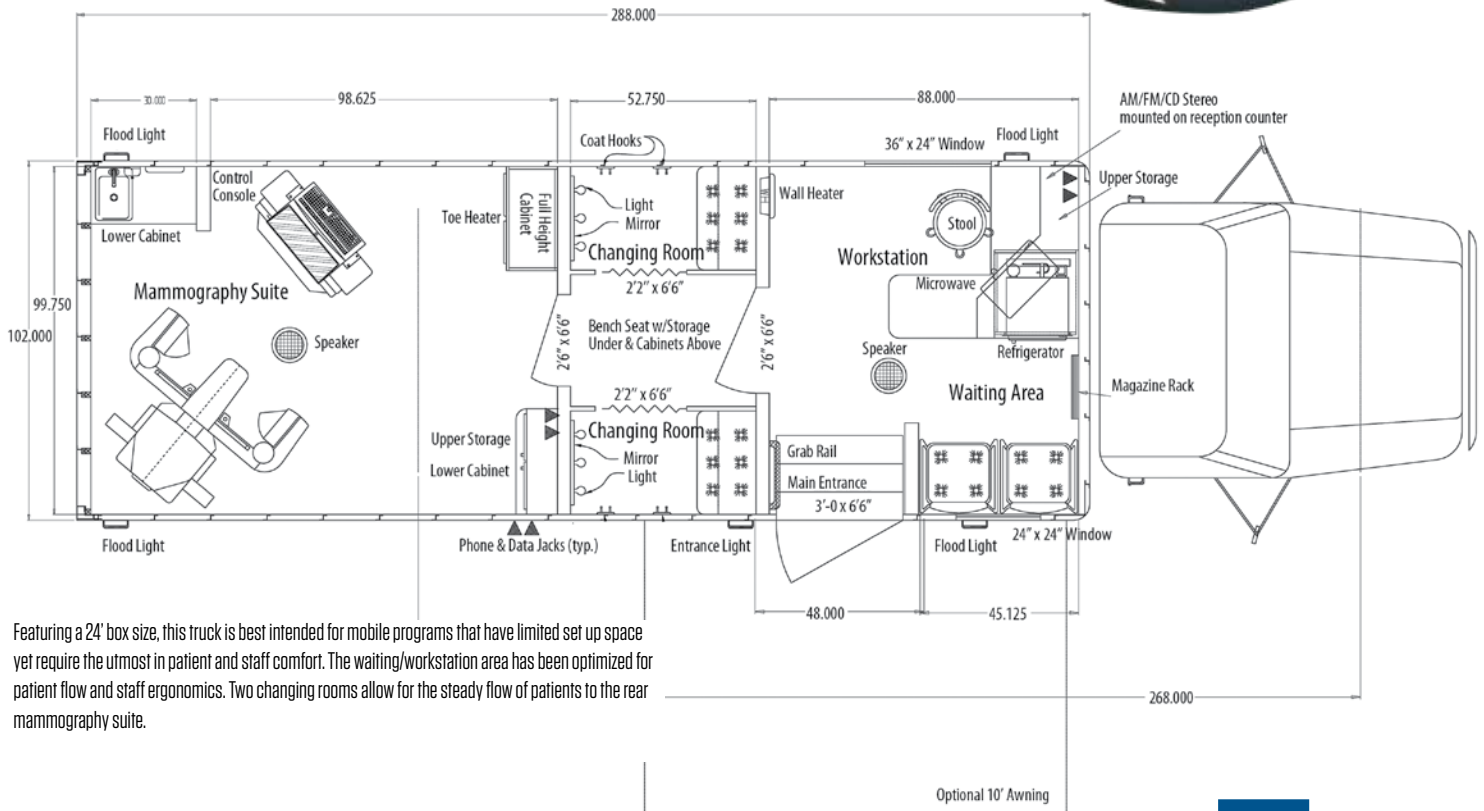
- 45' long overall with a 33' box
- Two expansions
- Automatic leveling system
- Wheelchair lift
- Two exam rooms
- Reception/waiting area with 26" TV and DVD
- Full rest room with UA Lab pass-through
- Office/lab area
- On board generator
- Fresh and waste water systems
- 3G mobile internet access





Western Shelter Mobility manufactures mobile mammography units custom built to your specifications. Choose from our existing floor plans or work with our engineering team to provide the solution that's right for you.

All of our vehicles are fully tested and inspected to meet or exceed stringent quality standards established to comply with OEM specifications and regulatory standards. Our team can provide on-site training and start up assistance.



Featuring a 24' box size, this truck is best intended for mobile programs that have limited set up space yet require the utmost in patient and staff comfort. The waiting/workstation area has been optimized for patient flow and staff ergonomics. Two changing rooms allow for the steady flow of patients to the rear mammography suite.



Western Shelter has years of experience building command and control trailers and mobile offices. These systems are not only comfortable to work in, but can also be outfitted with all of the communications equipment and technology that you need to run your operation.

